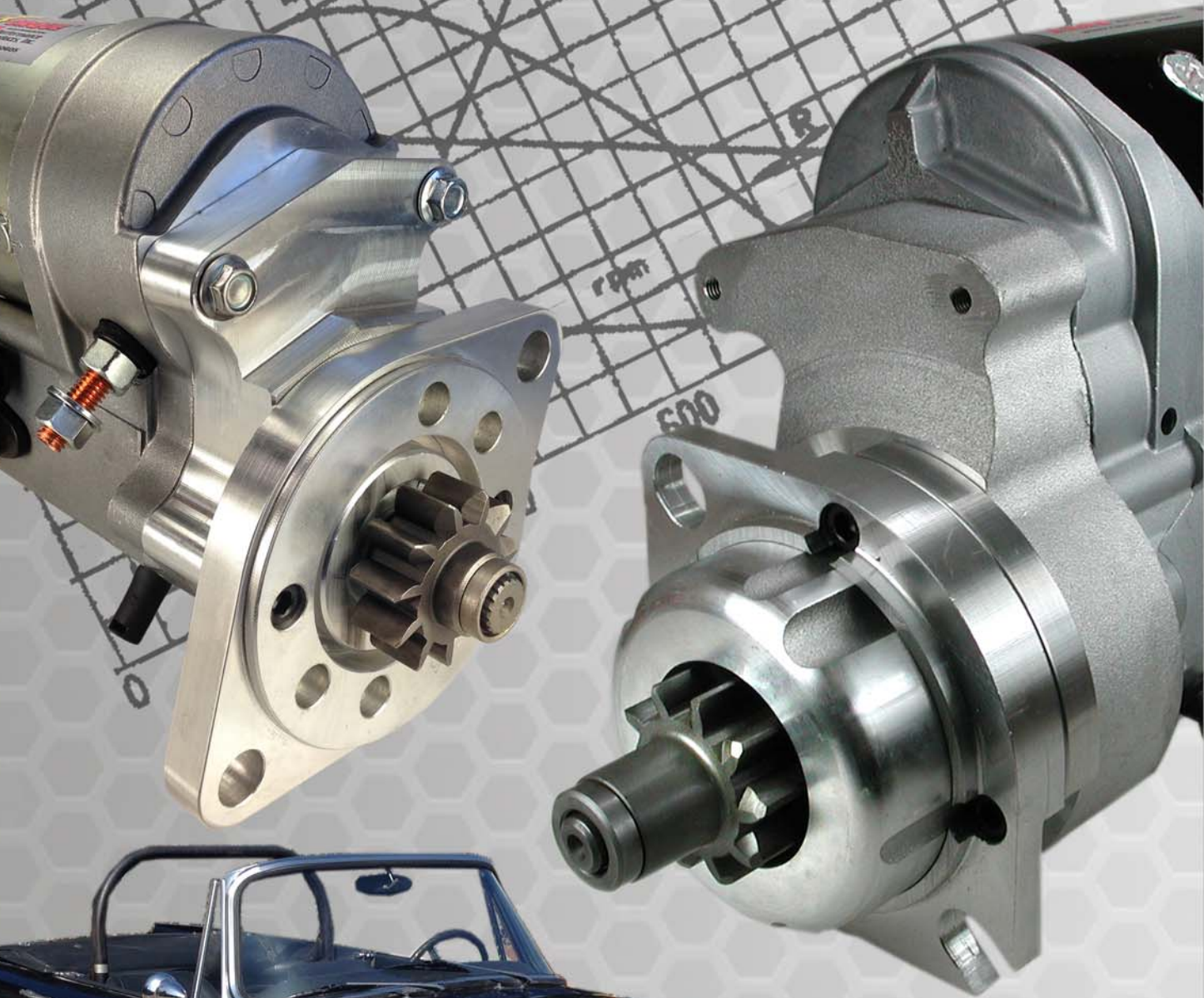


# Hi TORQUE

# IMI

Performance  
Products, Inc.



IMI Performance Products, Inc.

2017 Edition

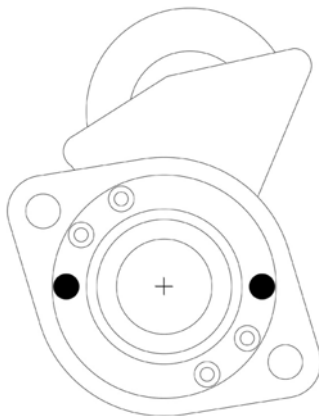
# Hi-TORQUE<sup>®</sup>

## IMI Performance Products, Inc.

For over a decade **Hi-Torque<sup>®</sup> IMI Performance Products, Inc.** has developed a range of starters designed specifically for the aftermarket to replace those used in the automotive, marine, off-road, and industrial and agriculture markets. Our design begins with an OEM Denso product, which we believe to be the finest product currently available. When coupled to our US Patented design it affords the end user the highest quality and most reliable starter currently available. Reliability and quality are but two of the three required essential ingredients necessary for successful business. To this we add the key ingredient; customer service.

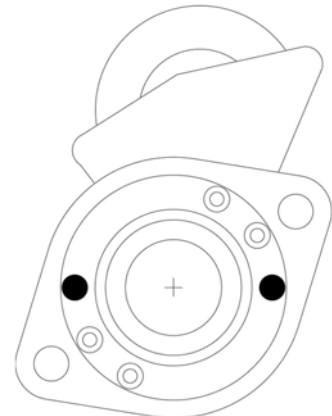
We continue to discover new and/or different applications as a direct result of inquiries and needs, thanks to our new and existing customers. We pride ourselves with knowing we provide the most flexible and dynamic unit within the market. We carry a full line of 12-V, 24-V, Clockwise and Counter-Clockwise units. Marinization is available to meet SAE J1171 certification. We designate our marine units with the letter M at the end of the part number.

In the event you cannot find a replacement listed in this catalog for your specific application, please call our toll free telephone number 888-244-8675 and allow us to design something for you.



Our patented design allows the end user to re-index the drive end housing to maximize clearance.

Simply remove the metric allen head screws, adjust the position of the drive plate, and torque the screws back in place.



All of our units are under the protection of our patents.

- US PATENT Nos. 5,163,335 & RE 35,425
- AUSTRALIAN PATENT Nos. 650151 & 670003
- CANADIAN PATENT No. 2073799-906
- GERMAN PATENT No. 42 23 209

Disclaimer - This catalog is intended for reference purposes only. Hi Torque IMI Performance Products, Inc assumes no liability for any errors and/or omissions. Our units have been designed to replace specific OEM units. Occasionally a unit may not suit the intended application due to fitment issues.

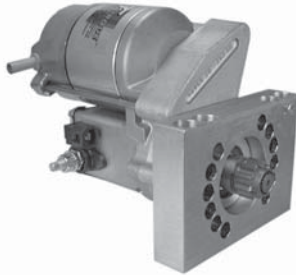


## Starter Classifications

IMI Performance Products offers different outputs of HiTorque starter motors. This starter classification will help you choose the right unit for your application. When a unit is designed we take into consideration compression, timing, and application. Most of our units are available in 12V, 24, CW, and CCW. What can we design for you?

### 100 Series

- ◆ 1.2kW (1.61HP)
- ◆ 4.4:1 Gear reduction
- ◆ Recommended for up to 11:1 Compression
- ◆ Machined Aluminum Adapter Block
- ◆ Adjustable drive end housing
- ◆ Available in Marine Certified SAEJ1171
- ◆ Available in Chrome polish



### N Series

- ◆ 1.4kW (1.88HP)
- ◆ 4.4:1 Gear reduction
- ◆ Recommended for up to 14:1 Compression
- ◆ Machined Aluminum Adapter Block
- ◆ Adjustable drive end housing
- ◆ Available in Marine Certified SAEJ1171
- ◆ Available in Chrome polish



### 900 & 2900 Series

- ◆ 2.0kW (2.68HP)
- ◆ 3.75:1 Gear reduction
- ◆ Recommended for up to 18:1 Compression
- ◆ Machined Aluminum Adapter Block
- ◆ Adjustable drive end housing
- ◆ Available in Chrome polish



### 22000 Series

- ◆ 2.2kW (2.95HP)
- ◆ Recommended for diesel applications
- ◆ Machined Aluminum Adapter Block
- ◆ Adjustable drive end housing
- ◆ Available in Chrome polish



### 25000 and 45000 Series

- ◆ 12V 2.7kW (3.62HP)
- ◆ 24V 4.5kW (6.03HP)
- ◆ Recommended for diesel applications
- ◆ Machined Aluminum Adapter Block
- ◆ Adjustable drive end housing

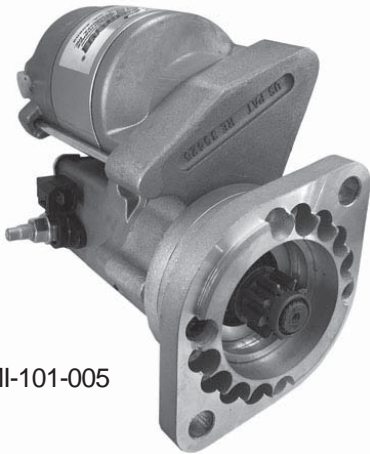


### 50000 Series

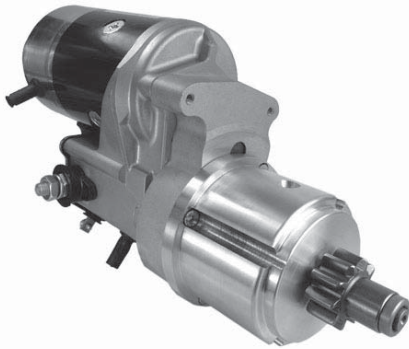
- ◆ 12V 5.0kW (6.70HP)
- ◆ Recommended for diesel applications
- ◆ Machined Aluminum Adapter Block
- ◆ Adjustable drive end housing



IMI-147-001



IMI-101-005



IMI-25013-001



IMI-913

## ALFA ROMEO

| Model          | IMI         | Gear | kW  | Note    |
|----------------|-------------|------|-----|---------|
| <b>8 tooth</b> |             |      |     |         |
| 1.3L           | IMI-147-002 | 8    | 1.2 |         |
| 1.6L           | IMI-147-002 | 8    | 1.2 |         |
| 1.75L          | IMI-147-002 | 8    | 1.2 |         |
| 2.0L           | IMI-147-002 | 8    | 1.2 |         |
| <b>9 tooth</b> |             |      |     |         |
| 1.3L           | IMI-147-001 | 9    | 1.2 |         |
| 1.6L           | IMI-147-001 | 9    | 1.2 |         |
| 1.75L          | IMI-147-001 | 9    | 1.2 |         |
| 2.0L           | IMI-147-001 | 9    | 1.2 |         |
| 1900           | IMI-122-069 | 9    | 1.2 |         |
| 75 2.5L        | IMI-101-005 | 9    | 1.2 | 1989-92 |
| 75 3.0L        | IMI-101-005 | 9    | 1.2 | 1989-92 |
| GTV            | IMI-101-005 | 9    | 1.2 | 1986-89 |
| Milano         | IMI-101-005 | 9    | 1.2 | 1986-89 |
| Spider 2.0L    | IMI-154-001 | 9    | 1.2 | 1986-94 |

## ALLIS CHALMERS

| Model             | IMI           | Gear | kW  | Note      |
|-------------------|---------------|------|-----|-----------|
| <b>Baler</b>      |               |      |     |           |
| 302, 303 series   | IMI-241-015   | 10   | 1.4 |           |
| <b>Combine</b>    |               |      |     |           |
| E                 | IMI-22208-012 | 9    | 2.2 |           |
| <b>Grader</b>     |               |      |     |           |
| D/DD              | IMI-25008-001 | 10   | 2.7 |           |
| <b>Lift Truck</b> |               |      |     |           |
| AC-C 20/25/30     | IMI-241-007   | 9    | 1.4 |           |
| AC-P 20/25/30     | IMI-241-007   | 9    | 1.4 |           |
| AC-S 10/120       | IMI-241-007   | 9    | 1.4 |           |
| <b>Tractor</b>    |               |      |     |           |
| 170               | IMI-22208-012 | 9    | 2.2 |           |
| 426               | IMI-06410     | 11   | 2.7 |           |
| D17               | IMI-25008-001 | 10   | 2.7 |           |
| G                 | IMI-1206-007  | 10   | 1.2 | 1948-1955 |
| TL 10             | IMI-22208-012 | 9    | 2.2 |           |
| WD                | IMI-25013-001 | 10   | 2.7 | CCW       |
| WD45              | IMI-25013-001 | 10   | 2.7 | CCW       |
| <b>Sprayer</b>    |               |      |     |           |
| 2300              | IMI-241-015   | 10   | 1.4 |           |

## AMC

| Model                  | IMI         | Gear | kW  | Note |
|------------------------|-------------|------|-----|------|
| <b>1965-1970</b>       |             |      |     |      |
| 3.8L                   | IMI-135-001 | 9    | 1.2 |      |
| <b>1966-1986</b>       |             |      |     |      |
| 2.3L, 2.7L, 2.9L       | IMI-913     | 11   | 1.2 |      |
| 3.0L, 3.4L, 3.6L, 3.9L | IMI-913     | 11   | 1.2 |      |
| 4.0L                   | IMI-913     | 11   | 1.2 |      |



## ASTON MARTIN

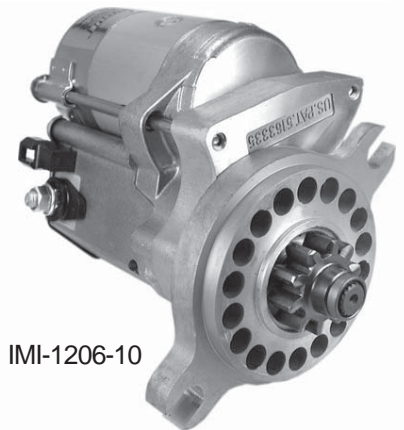
| Model              | IMI         | Gear | kW  | Note |
|--------------------|-------------|------|-----|------|
| DB4, DB5, DB6, DBS | IMI-216-004 | 10   | 2.0 |      |
| MKII               | IMI-216-004 | 10   | 2.0 |      |

## AUDI

| Model       | IMI         | Gear | kW  | Note    |
|-------------|-------------|------|-----|---------|
| 80          | IMI155-002  | 9    | 1.4 |         |
| 90          | IMI155-002  | 9    | 1.4 |         |
| 90          | IMI-233-004 | 9    | 1.4 | 1988    |
| 100         | IMI155-002  | 9    | 1.4 |         |
| 4000        | IMI-233-004 | 9    | 1.4 | 1981-87 |
| 5000        | IMI-155-002 | 9    | 1.4 |         |
| 5000 Diesel | IMI-155-003 | 9    | 2.0 |         |
| A4          | IMI-215-008 | 10   | 1.4 |         |
| Coupe       | IMI-233-004 | 9    | 1.4 |         |
| Q7 Truck    | IMI-215-008 | 10   | 1.4 |         |
| S4          | IMI155-002  | 9    | 1.4 |         |
| S6          | IMI155-002  | 9    | 1.4 |         |



IMI-155-002



IMI-1206-10



IMI-214-019

## AUSTIN

| Model           | IMI          | Gear | kW  | Note |
|-----------------|--------------|------|-----|------|
| America         | IMI-1206-9AA | 9    | 1.2 |      |
| Healey 100-6    | IMI-1206-10  | 10   | 1.2 |      |
| Healey 3000     | IMI-1206-10  | 10   | 1.2 |      |
| Healey Sprite   | IMI-1206-9A  | 9    | 1.2 |      |
| Mini Cooper 850 | IMI-1206-9AA | 9    | 1.2 |      |

## BOBCAT

| Model         | IMI         | Gear | kW  | Note |
|---------------|-------------|------|-----|------|
| Yanmar Engine | IMI-214-019 | 9    | 1.4 |      |

## BOLENS ISEKI

| Model         | IMI         | Gear | kW  | Note |
|---------------|-------------|------|-----|------|
| TX1300, 1300F | IMI-247-001 | 9    | 1.2 |      |
| G152, 154     | IMI-247-001 | 9    | 1.2 |      |
| TC1500, 1500F | IMI-247-001 | 9    | 1.2 |      |

## BOWMAG

| Model  | IMI         | Gear | kW  | Note |
|--------|-------------|------|-----|------|
| Roller |             |      |     |      |
| BW90A  | IMI-122-064 | 13   | 1.4 |      |
| BW90T  | IMI-122-064 | 13   | 1.4 |      |

## BENTLY

| Model        | IMI         | Gear | kW  | Note |
|--------------|-------------|------|-----|------|
| T1, T2 65-88 | IMI-241L    | 9    | 1.4 |      |
| Turbo R      | IMI-241L    | 9    | 1.4 |      |
| All 73-89    | IMI-241L    | 9    | 1.4 |      |
| S Series     | IMI-220-002 | 9    | 1.4 |      |



IMI-247-001



IMI-215BNS



IMI-215BNL



IMI-25101-003



IMI-156-001

## BELARUS Tractors

| Model      | IMI           | Gear | kW  | Note |
|------------|---------------|------|-----|------|
| 2cyl, 4cyl | IIM-25101-003 | 10   | 2.7 | 12V  |
| 4cyl Turbo | IMI-45101-003 | 10   | 4.5 | 24V  |

## BMW

| Model             | IMI           | Gear | kW  | Note |
|-------------------|---------------|------|-----|------|
| 1600              | IMI-105-003   | 9    | 1.4 |      |
| 1600ti            | IMI-105-003   | 9    | 1.4 |      |
| 318is 96-99       | IMI-247-001   | 9    | 1.2 |      |
| Z3, Z4 97-04      | IMI-247-001   | 9    | 1.2 |      |
| <b>Industrial</b> |               |      |     |      |
| D150, D190        | IMI-25208-003 | 11   | 2.7 |      |
| D530, D636        | IMI-25208-003 | 11   | 2.7 |      |

## BUICK

| Model             | IMI          | Gear | kW  | Note    |
|-------------------|--------------|------|-----|---------|
| 231, 350, 401     | IMI-102-004  | 9    | 1.2 |         |
| 401, 460, 455     | IMI-102-004N | 9    | 1.4 |         |
| <b>Nail Head</b>  |              |      |     |         |
| 401, 425 Early    | IMI-215BNL   | 9    | 1.2 |         |
| 401, 425 Late     | IMI-215BN    | 9    | 1.2 |         |
| 364               | IMI-150-001  | 9    | 1.2 | 1959-60 |
| 401               | IMI-150-001  | 9    | 1.2 | 1959-60 |
| 322, 264          | IMI-302-002  | 9    | 1.2 |         |
| LeSabre           | IMI-150-001  | 9    | 1.2 | 1960    |
| Roadmaster        | IMI-150-001  | 9    | 1.2 | 1957-58 |
| <b>Straight 8</b> |              |      |     |         |
| 40, 50            | IMI-302-009  | 9    | 1.2 |         |
| <b>V8</b>         |              |      |     |         |
| 1953-56           | IMI-302-002  | 9    | 1.2 |         |

## BUKH

| Model         | IMI         | Gear | kW  | Note |
|---------------|-------------|------|-----|------|
| Beta          | IMI-122-072 | 13   | 1.4 |      |
| DV10LME, LSME | IMI-122-072 | 13   | 1.4 |      |
| DV20-ME/SME   | IMI-122-072 | 13   | 1.4 |      |
| RME           | IMI-122-072 | 13   | 1.4 |      |

## CADILLAC

| Model              | IMI          | Gear | kW  | Note |
|--------------------|--------------|------|-----|------|
| 368, 425, 472, 500 | IMI-102-004N | 9    | 1.4 |      |
| 365, 390           | IMI-156-001  | 9    | 1.2 |      |
| Eldorado           | IMI-124-001  | 9    | 1.2 |      |
| <b>DeVille</b>     |              |      |     |      |
| 4.1L, 5.7L, 7.0L   | IMI-102-004N | 9    | 1.4 |      |
| 7.7L, 8.2L         | IMI-102-004N | 9    | 1.4 |      |
| <b>Fleetwood</b>   |              |      |     |      |
| 4.1L, 5.7L, 7.0L   | IMI-102-004N | 9    | 1.4 |      |
| 7.7L, 8.2L         | IMI-102-004N | 9    | 1.4 |      |



## CADILLAC

| Model        | IMI         | Gear | kW  | Note |
|--------------|-------------|------|-----|------|
| Older Models |             |      |     |      |
| 1939-40      | IMI-122-032 | 9    | 1.2 |      |
| Lesalle      | IMI-122-032 | 9    | 1.2 | 1939 |

## CASE

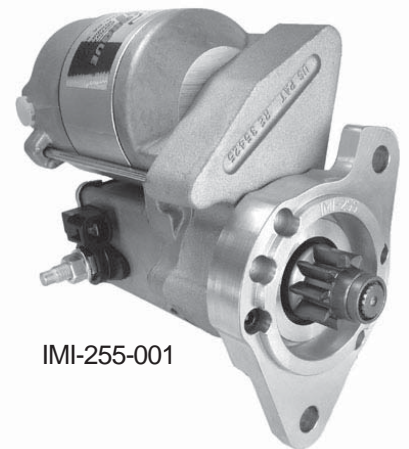
| Model                 | IMI           | Gear | kW  | Note           |
|-----------------------|---------------|------|-----|----------------|
| Lift Truck            |               |      |     |                |
| 586D, 585D, 584D      | IMI-25002-028 | 10   | 2.7 |                |
| Tractor               |               |      |     |                |
| 1120, 1130, 1140      | IMI-235-001   | 15   | 1.2 |                |
| 234, 235, 245, 255    | IMI-235-001   | 15   | 1.2 |                |
| 265 Offset            | IMI235-002    | 15   | 2.0 |                |
| 275                   | IMI235-002    | 15   | 2.0 |                |
| 420B                  | IMI-118-004   | 9    | 1.4 |                |
| 423                   | IMI-118-005   | 9    | 1.2 |                |
| Unloader              |               |      |     |                |
| 1825                  | IMI-255-001   | 9    | 1.2 |                |
| 1845S                 | IMI-25002-028 | 10   | 2.7 |                |
| Staggered Mount       |               |      |     |                |
| High Compression      | IMI-935       | 11   | 2.0 | 168 tooth only |
| Covair                |               |      |     |                |
| 2.4L                  | IMI-115-001   | 9    | 1.2 |                |
| 2.7L                  | IMI-115-001   | 9    | 1.2 |                |
| Volkswagen Conversion | IMI-101R      | 9    | 1.2 |                |
| Diesel                |               |      |     |                |
| 6.2L, 6.5L            | IMI-25005     | 13   | 2.7 | 12V            |
| 6.2L, 6.5L            | IMI-45005     | 13   | 4.5 | 24V            |
| Duramax               | IMI-250       | 9    | 2.2 |                |

## CHEVROLET Industrial

| Model            | IMI         | Gear | kW  | Note       |
|------------------|-------------|------|-----|------------|
| GM               |             |      |     |            |
| 1.7L             | IMI-243-001 | 10   | 1.2 |            |
| 2.2L             | IMI-254-001 | 11   | 1.4 |            |
| 2.4L             | IMI-243-001 | 10   | 1.2 |            |
| 3.0L             | IMI-211-001 | 11   | 1.2 |            |
| 4.3L Pad Mount   | IMI-228-001 | 11   | 1.4 |            |
| 4.3L Bellhousing | IMI-234-001 | 10   | 1.4 | Wet Clutch |
| Medium Duty      |             |      |     |            |
| Topkick / Kodiak | IMI-130-001 | 9    | 1.2 |            |
| P-Series         | IMI-130-001 | 9    | 1.2 | 1989       |
| C80              | IMI-130-001 | 9    | 1.2 |            |
| C8500            | IMI-130-001 | 9    | 1.2 |            |
| HE70             | IMI-130-001 | 9    | 1.2 |            |
| Heavy Duty       |             |      |     |            |
| TE50             | IMI-130-001 | 9    | 1.2 |            |
| TE65             | IMI-130-001 | 9    | 1.2 |            |
| HE70             | IMI-130-001 | 9    | 1.2 |            |



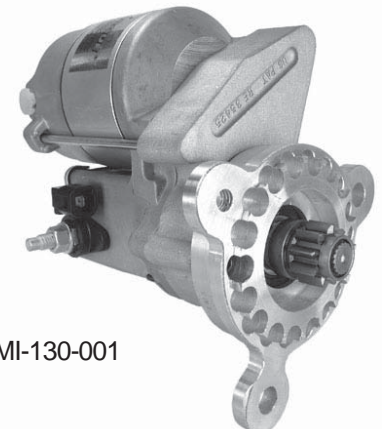
IMI-235-001



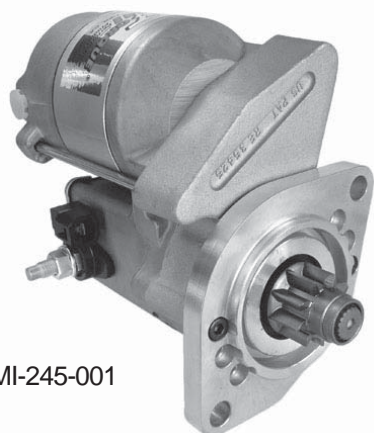
IMI-255-001



IMI-243-001



IMI-130-001



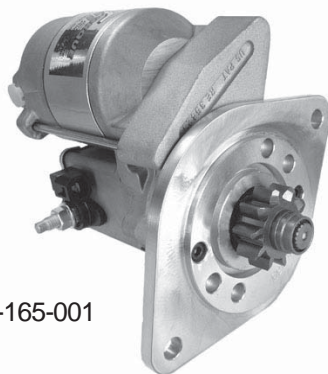
IMI-245-001



IMI-126-001



IMI-140-001



IMI-165-001

## CHINESE Tractor

| Model            | IMI           | Gear | kW  | Note   |
|------------------|---------------|------|-----|--------|
| <b>Engine</b>    |               |      |     |        |
| 2cyl DSL         | IMI-245-001   | 9    | 1.2 |        |
| 4105             | IMI-45002-030 | 11   | 4.5 | 24V    |
| 495DZ-1          | IMI-232-40    | 11   | 2.0 |        |
| TY395            | IMI-232-24    | 11   | 2.0 |        |
| TY295            | IMI-232-24    | 11   | 2.0 |        |
| TY95             | IMI-232-30    | 11   | 2.0 |        |
| Y380             | IMI-232-18    | 11   | 2.0 |        |
| <b>Changchai</b> |               |      |     |        |
| L30M             | IMI-232-012   | 11   | 2.0 | Diesel |
| <b>Weichai</b>   |               |      |     |        |
| DFL4251          | IMI-45216-008 | 11   | 4.5 | 24V    |
| DFL4181          | IMI-45216-008 | 11   | 4.5 | 24V    |
| T375             | IMI-45216-008 | 11   | 4.5 | 24V    |

## CHRYSLER

| Model                 | IMI         | Gear | kW  | Note                       |
|-----------------------|-------------|------|-----|----------------------------|
| <b>Mopar</b>          |             |      |     |                            |
| Fixed                 | IMI-109     | 10   | 1.4 |                            |
| Rotatable             | IMI-909N    | 10   | 1.4 |                            |
| Racing                | IMI-909     | 10   | 2.0 |                            |
| <b>Dodge Plymouth</b> |             |      |     |                            |
| 318                   | IMI-138-001 | 9    | 1.2 | 2 Bolt replaces three bolt |
| 361                   | IMI-138-001 | 9    | 1.2 | 2 Bolt replaces three bolt |
| 383                   | IMI-138-001 | 9    | 1.2 | 2 Bolt replaces three bolt |
| <b>1965-1969</b>      |             |      |     |                            |
| 5.9L                  | IMI-126-001 | 9    | 1.2 |                            |
| 6.3L                  | IMI-126-002 | 10   | 1.2 |                            |
| 6.8L                  | IMI-126-003 | 11   | 1.2 |                            |
| <b>Marine</b>         |             |      |     |                            |
| Various IB 1960-79    | IMI-138-002 | 9    | 1.2 | 2 Bolt replaces three bolt |
| 1969-1975             | IMI-126-002 | 9    | 1.2 | Clockwise                  |
| 1970-1988             | IMI-126-003 | 9    | 1.4 | Counter Clockwise          |
| SD33                  | IMI-249-001 | 11   | 2.0 |                            |

## COCKSHUTT

| Model                  | IMI           | Gear | kW  | Note              |
|------------------------|---------------|------|-----|-------------------|
| <b>Hercules Engine</b> |               |      |     |                   |
| 550/552                | IMI-165-001   | 10   | 1.4 |                   |
| 570                    | IMI-165-001   | 10   | 1.4 |                   |
| <b>Combine</b>         |               |      |     |                   |
| 7                      | IMI-209-005   | 10   | 1.2 | 12V to replace 6V |
| <b>Diesel</b>          |               |      |     |                   |
| 35, 66, 88             | IMI-25002-031 | 12   | 2.7 |                   |
| 1350                   | IMI-25002-002 | 10   | 2.7 |                   |
| 1550                   | IMI-25002-002 | 10   | 2.7 |                   |
| 1650                   | IMI-25002-002 | 10   | 2.7 |                   |
| 1900                   | IMI-25101-002 | 12   | 2.7 |                   |

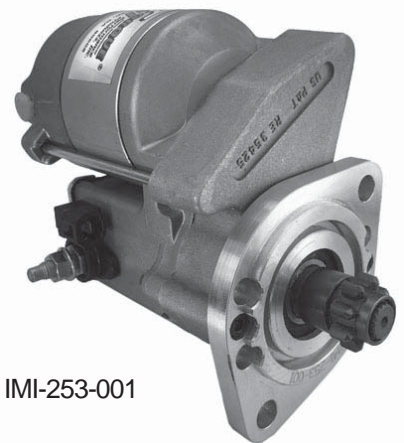


## CLARK

| Model              | IMI           | Gear | kW  | Note       |
|--------------------|---------------|------|-----|------------|
| 4G32               | IMI-203-001   | 11   | 1.2 |            |
| 4G52, 4G54         | IMI-203-001   | 11   | 1.2 |            |
| 4G63, 4G64         | IMI-203-001   | 11   | 1.2 |            |
| 643                | IMI-25002-016 | 12   | 2.7 |            |
| 743B               | IMI-25002-016 | 12   | 2.7 |            |
| 753                | IMI-25002-016 | 12   | 2.7 |            |
| C20, CF30          | IMI-241-007   | 9    | 1.4 |            |
| CFY60              | IMI-241-007   | 9    | 1.4 |            |
| C500-100/110/120   | IMI-25002-014 | 10   | 2.7 |            |
| C500-130/135/155   | IMI-25002-014 | 10   | 2.7 |            |
| C500-60/70/80      | IMI-25002-014 | 10   | 2.7 |            |
| <b>Continental</b> |               |      |     |            |
| F-245              | IMI-241-006   | 9    | 1.4 |            |
| TM13               | IMI-241-001   | 10   | 1.4 |            |
| TM20               | IMI-241-001   | 10   | 1.4 |            |
| TM27               | IMI-241-002   | 10   | 1.4 |            |
| <b>GM</b>          |               |      |     |            |
| 3.0L               | IMI-211-001   | 11   | 1.2 |            |
| 4.3L Pad Mount     | IMI-228-001   | 11   | 1.4 |            |
| 4.3L Bellhousing   | IMI-234-001   | 10   | 1.4 | Wet Clutch |
| <b>Perkins</b>     |               |      |     |            |
| 4-203D             | IMI-25002-003 | 10   | 2.7 |            |
| <b>Hyundai</b>     |               |      |     |            |
| 2.4L               | IMI-253-001   | 8    | 1.2 |            |
| <b>Waukesha</b>    |               |      |     |            |
| 155                | IMI-241-006   | 9    | 1.4 |            |
| 176                | IMI-241-006   | 9    | 1.4 |            |



IMI-203-001



IMI-253-001



IMI-211-001



IMI-160-001

## CUMMINS

| Model            | IMI           | Gear | kW  | Note |
|------------------|---------------|------|-----|------|
| A 2300           | IMI-122-004   | 15   | 2.0 |      |
| EL250            | IMI-25208-003 | 11   | 2.7 |      |
| EL300            | IMI-25208-003 | 11   | 2.7 |      |
| <b>B-Series</b>  |               |      |     |      |
| 6BT/ C           | IMI-45002-028 | 10   | 4.5 |      |
| 6BTA-200C        | IMI-45002-028 | 10   | 4.5 |      |
| 5.9L 01.95-01.04 | IMI-44430     | 10   | 5.0 |      |

## CUSHMAN

| Model   | IMI         | Gear | kW  | Note |
|---------|-------------|------|-----|------|
| Various | IMI-160-001 | 15   | 1.2 | CCW  |

## DAEWOO

| Model          | IMI         | Gear | kW  | Note     |
|----------------|-------------|------|-----|----------|
| <b>Peugeot</b> |             |      |     |          |
| XN1P           | IMI-207-001 | 9    | 1.2 | Short PD |
|                | IMI-207-002 | 9    | 1.2 | Long PD  |
| Diesel         | IMI-207-003 | 9    | 2.0 |          |



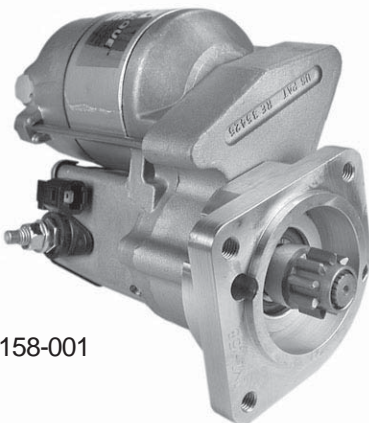
IMI-25002-009



IMI-122-005



IMI-161-001



IMI-158-001

## DEUTZ

| Model         | IMI           | Gear | kW  | Note |
|---------------|---------------|------|-----|------|
| <b>Gas</b>    |               |      |     |      |
| KHD           | IMI-215-11    | 11   | 2.0 |      |
|               | IMI-215-9     | 9    | 2.0 |      |
| <b>Diesel</b> |               |      |     |      |
| F3L912        | IMI-25002-009 | 9    | 2.7 |      |
| F4L912        | IMI-25002-009 | 9    | 2.7 |      |
| <b>Marine</b> |               |      |     |      |
| F1L210        | IMI-122-052   | 9    | 1.4 |      |

## DOOSAN

| Model            | IMI         | Gear | kW  | Note |
|------------------|-------------|------|-----|------|
| GS40SC5, GS45SC5 | IMI-214-022 | 10   | 2.0 |      |
| GS50SC5, GS55SC5 | IMI-214-022 | 10   | 2.0 |      |
| G643/4294CC      | IMI-214-022 | 10   | 2.0 |      |
| Hyundai 2.4L     | IMI-253-001 | 8    | 1.2 |      |

## FARYMAN

| Model         | IMI         | Gear | kW  | Note |
|---------------|-------------|------|-----|------|
| <b>Marine</b> |             |      |     |      |
| 36 A/E        | IMI-122-005 | 9    | 1.4 |      |
| 41 A/E        | IMI-122-005 | 9    | 1.4 |      |
| 15W           | IMI-122-021 | 9    | 1.4 |      |
| 18W           | IMI-122-021 | 9    | 1.4 |      |
| 32 A/W        | IMI-122-021 | 9    | 1.4 |      |
| A30 A40       | IMI-122-005 | 9    | 1.4 |      |
| D40           | IMI-122-045 | 9    | 1.2 |      |
| E40           | IMI-122-045 | 9    | 1.2 |      |

## FERRARI

| Model       | IMI         | Gear | kW  | Note |
|-------------|-------------|------|-----|------|
| 208         | IMI-159-004 | 11   | 1.4 |      |
| 250         | IMI-122-030 | 9    | 1.4 |      |
| 288         | IMI-159-004 | 11   | 1.4 |      |
| 308         | IMI-159-004 | 11   | 1.4 |      |
| 328         | IMI-159-004 | 11   | 1.4 |      |
| 330, 365    | IMI-161-001 | 9    | 1.4 |      |
| Daytona 275 | IMI-161-001 | 9    | 1.4 |      |
| Daytona 400 | IMI-161-001 | 9    | 1.4 |      |
| Dino 246    | IMI-122-010 | 11   | 1.4 |      |
| Mondial     | IMI-159-004 | 11   | 1.4 |      |
| Mondial T   | IMI-168-001 | 9    | 1.4 |      |

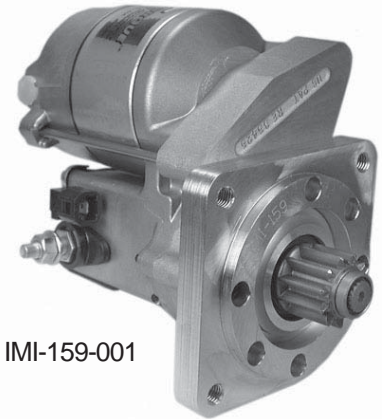
## FIAT

| Model | IMI         | Gear | kW  | Note |
|-------|-------------|------|-----|------|
| 124   | IMI-159-001 | 11   | 1.2 |      |
| 128   | IMI-158-001 | 9    | 1.2 |      |
| 131   | IMI-159-001 | 11   | 1.2 |      |
| 850   | IMI-153-001 | 9    | 1.4 |      |



## FIAT

| Model       | IMI         | Gear | kW  | Note |
|-------------|-------------|------|-----|------|
| Brava       | IMI-159-001 | 11   | 1.2 |      |
| Lancia      | IMI-159-001 | 11   | 1.2 |      |
| Strada      | IMI-149-001 | 9    | 1.2 |      |
| X 1/9 Early | IMI-158-001 | 9    | 1.2 |      |
| X 1/9 Late  | IMI-149-001 | 9    | 1.2 |      |



IMI-159-001

## FIAT Industrial

| Model        | IMI           | Gear | kW  | Note    |
|--------------|---------------|------|-----|---------|
| Fiat-Hesston |               |      |     |         |
| F100-140     | IMI25103-001  | 9    | 2.7 | 1988-93 |
| 55.65-60.90  | IMI-25103-002 | 9    | 2.7 | 1988-89 |
| Fiat-Allis   |               |      |     |         |
| Crawler      |               |      |     |         |
| 5            | IMI-45002-029 | 9    | 4.5 |         |
| 8, 8BL       | IMI-45002-029 | 9    | 4.5 |         |
| Excavator    |               |      |     |         |
| FE-12        | IMI-45103-002 | 9    | 4.5 |         |
| S-60         | IMI-45103-002 | 9    | 4.5 |         |
| Tractor      |               |      |     |         |
| 411          | IMI-45208-002 | 9    | 4.5 |         |
| 415          | IMI-45208-002 | 9    | 4.5 |         |
| Wheel Loader |               |      |     |         |
| FR-7B        | IMI-45103-002 | 9    | 4.5 | 1983-85 |
| FR-7B        | IMI-45002-029 | 9    | 4.5 |         |
| FR-9B        | IMI-45002-029 | 9    | 4.5 |         |
| Various      | IMI-45103-001 | 9    | 4.5 | 1985-95 |



IMI-120-001

## FORD

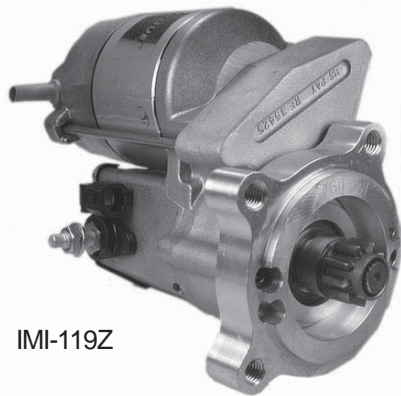
| Model            | IMI         | Gear | kW  | Note     |
|------------------|-------------|------|-----|----------|
| Model A          |             |      |     |          |
|                  | IMI-148-001 | 10   | 1.2 | 12V      |
| Flat Head        |             |      |     |          |
| Early            | IMI-117L    | 10   | 1.2 | 12V      |
| Late             | IMI-117     | 10   | 1.2 | 12V      |
| Small Block      |             |      |     |          |
| Automatic C4     | IMI-106     | 9    | 1.2 |          |
| High Compression | IMI-106N    | 9    | 1.4 |          |
| High RPM         | IMI-1106    | 11   | 1.4 |          |
| Automatic C6     | IMI-106T    | 9    | 1.2 | Threaded |
| High Compression | IMI-106TN   | 9    | 1.4 | Threaded |
| High RPM         | IMI-1106T   | 11   | 1.4 | Threaded |
| Manual           | IMI-107     | 9    | 1.2 |          |
| High Compression | IMI-107N    | 9    | 1.4 |          |
| Big Block        |             |      |     |          |
| Automatic C6     | IMI-106TN   | 9    | 1.4 | Threaded |
| High Compression | IMI-906T    | 9    | 2.0 | Threaded |
| Manual           | IMI-106N    | 9    | 1.4 |          |
| High Compression | IMI-906     | 9    | 2.0 |          |



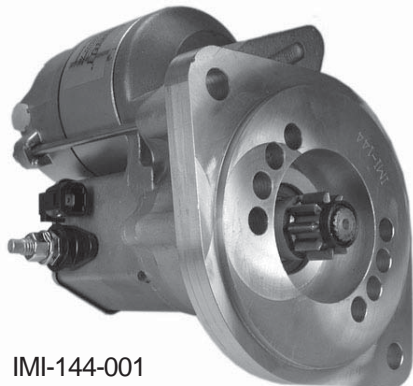
IMI-148-001



IMI-1106-001



IMI-119Z



IMI-144-001



IMI-25010-001



IMI-226-001

## FORD

| Model               | IMI           | Gear | kW  | Note             |
|---------------------|---------------|------|-----|------------------|
| <b>Straight Six</b> |               |      |     |                  |
| 3.3L                | IMI-144       | 9    | 1.2 |                  |
| <b>FE</b>           |               |      |     |                  |
| 390, 428            | IMI-106FE     | 9    | 1.2 |                  |
| <b>Y Block</b>      |               |      |     |                  |
|                     | IMI-106-929   | 9    | 1.2 |                  |
| <b>Late Model</b>   |               |      |     |                  |
| 4.6L 1992-2003      | IMI-125       | 12   | 1.2 |                  |
| 2300cc 4 Cyl.       | IMI-119Z      | 9    | 1.4 |                  |
| Capri 3.0L          | IMI-146-001   | 9    | 1.2 | 1967-81          |
| Contour             | IMI-121-001   | 9    | 1.2 | 1995-00          |
| Consul 3.0L         | IMI-146-001   | 9    | 1.2 | 1972-75          |
| Focus               | IMI-121-001   | 9    | 1.2 | 2000-04          |
| Duratec             | IMI-163-001   | 9    | 1.4 |                  |
| GT40                | IMI-146-001   | 9    | 1.2 |                  |
| <b>Diesel</b>       |               |      |     |                  |
| 6.0L                | IMI-25010-001 | 12   | 2.7 |                  |
| 7.3L                | IMI-50009-003 | 13   | 5.0 |                  |
| <b>Marine</b>       |               |      |     |                  |
| Bottom Mount        | IMI-106NRM    | 9    | 1.4 | Reverse Rotation |
| Top Mount           | IMI-301-003   | 9    | 1.4 |                  |

## FORD Industrial

| Model             | IMI            | Gear | kW  | Note |
|-------------------|----------------|------|-----|------|
| <b>Tractor</b>    |                |      |     |      |
| 2N, 8N            | IMI-120-001    | 9    | 1.2 | 12V  |
| 9N                | IMI-120-001    | 9    | 1.2 | 12V  |
| 1000, 1500, 1600  | IMI-122-019    | 9    | 2.0 |      |
| 2110              | IMI-122-019    | 9    | 2.0 |      |
| <b>Diesel</b>     |                |      |     |      |
| 3 Cyl             | IMI-216-001    | 10   | 2.0 |      |
| 4 Cyl             | IMI-25216-001  | 10   | 2.7 |      |
| 6 Cyl             | IMI-25216-001  | 10   | 2.7 |      |
| <b>Industrial</b> |                |      |     |      |
| 5.9L              | IMI-25002-023  | 10   | 2.7 |      |
| Marine            | IMI-25002-023M | 10   | 2.7 |      |
| HD Trucks         | IMI-226-001    | 9    | 1.2 | 12V  |
| F600 93-99        | IMI-25002-017  | 10   | 2.7 |      |
| F700 93-99        | IMI-25002-017  | 10   | 2.7 |      |
| F800 93-99        | IMI-25002-017  | 10   | 2.7 |      |

## HATZ

| Model          | IMI         | Gear | kW  | Note |
|----------------|-------------|------|-----|------|
| <b>Engines</b> |             |      |     |      |
| E80            | IMI-122-045 | 9    | 1.2 |      |
| E85            | IMI-122-045 | 9    | 1.2 |      |
| E89            | IMI-122-045 | 9    | 1.2 |      |
| Z782           | IMI-122-064 | 13   | 1.4 |      |



### HATZ

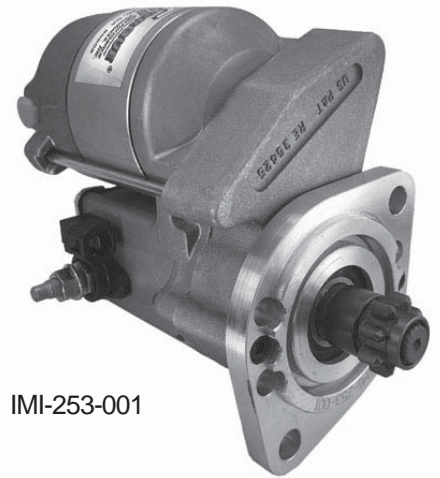
| Model           | IMI           | Gear | kW  | Note |
|-----------------|---------------|------|-----|------|
| <b>Engines</b>  |               |      |     |      |
| Z788            | IMI-122-064   | 13   | 1.4 |      |
| Z789            | IMI-122-064   | 13   | 1.4 |      |
| Z790            | IMI-122-064   | 13   | 1.4 |      |
| <b>M Series</b> |               |      |     |      |
| 2L41C           | IMI-122-040   | 11   | 2.0 |      |
| 2-4L/M41        | IMI-122-040   | 11   | 2.0 |      |
| 3M41, 4M41      | IMI-25208-003 | 11   | 2.7 |      |
| 4M42-EGR        | IMI-25208-003 | 11   | 2.7 |      |
| 4M43-EGR/DFP    | IMI-25208-003 | 11   | 2.7 |      |
| <b>W Series</b> |               |      |     |      |
| 2W35            | IMI-45002-028 | 10   | 4.5 |      |



IMI-1206-9A

### HILMAN

| Model            | IMI          | Gear | kW  | Note |
|------------------|--------------|------|-----|------|
| Imp              | IMI-1206-9AA | 9    | 1.2 |      |
| Husky            | IMI-1206-9A  | 9    | 1.2 |      |
| Minx, Super Minx | IMI-1206-9A  | 9    | 1.2 |      |



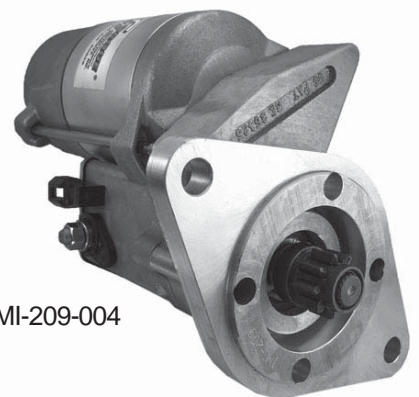
IMI-253-001

### HYUNDAI

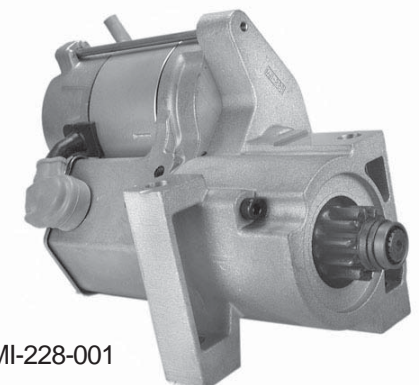
| Model | IMI         | Gear | kW  | Note |
|-------|-------------|------|-----|------|
| 2.4L  | IMI-253-001 | 8    | 1.2 |      |

### HYSTER

| Model            | IMI           | Gear | kW  | Note       |
|------------------|---------------|------|-----|------------|
| <b>Cummins</b>   |               |      |     |            |
| 6B               | IMI-25002-034 | 10   | 2.7 |            |
| <b>Mazda</b>     |               |      |     |            |
| FE               | IMI-201-001   | 11   | 1.2 |            |
| VA               | IMI-201-001   | 11   | 1.2 |            |
| Late Model       | IMI-201-003   | 11   | 1.2 |            |
| Fortis           | IMI-242-001   | 11   | 1.4 |            |
| <b>GM</b>        |               |      |     |            |
| 2.2L             | IMI-254-001   | 11   | 1.4 |            |
| 2.4L             | IMI-243-001   | 10   | 1.2 |            |
| 3.0L             | IMI-211-001   | 11   | 1.2 |            |
| 4.3L             | IMI-228-001   | 11   | 1.4 |            |
| 4.3L Bellhousing | IMI-234-001   | 10   | 1.4 | Wet Clutch |
| H300             | IMI-209-004   | 9    | 2.0 | Wet Clutch |
| <b>GM Diesel</b> |               |      |     |            |
| 1.7L             | IMI-243-001   | 10   | 1.2 |            |
| 3.0L             | IMI-243-001   | 10   | 1.2 |            |
| <b>GMC</b>       |               |      |     |            |
| V6-305, 351      | IMI-209-004   | 9    | 2.0 |            |
| V350             | IMI-209-004   | 9    | 2.0 |            |
| <b>Perkins</b>   |               |      |     |            |
| Diesel           | IMI-25002-001 | 10   | 2.7 | Bt Right   |
| Diesel           | IMI-25002-002 | 10   | 2.7 | Bt Left    |



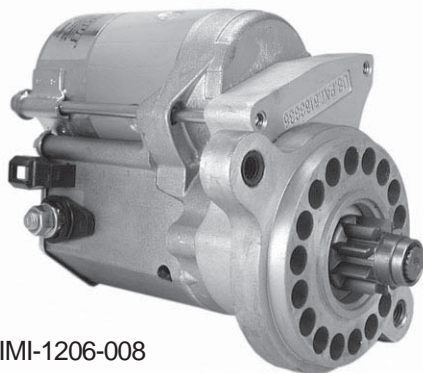
IMI-209-004



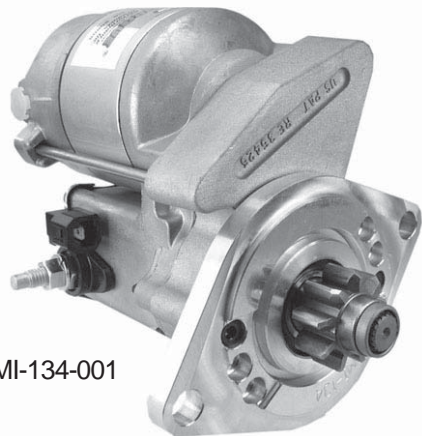
IMI-228-001



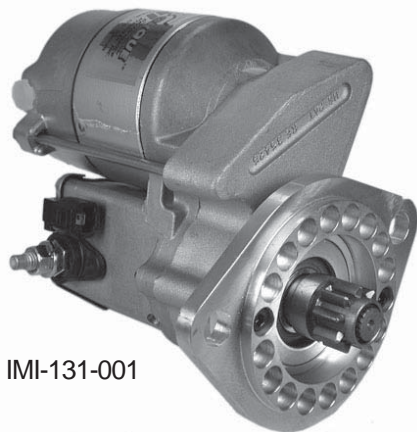
IMI-302-012



IMI-1206-008



IMI-134-001



IMI-131-001

## INTERNATIONAL

| Model                  | IMI            | Gear | kW  | Note |
|------------------------|----------------|------|-----|------|
| <b>Scout</b>           |                |      |     |      |
| II                     | IMI-302-012    | 9    | 1.2 |      |
| 80, 800                | IMI-302-012    | 9    | 1.2 |      |
| <b>Industrial</b>      |                |      |     |      |
| B-144, B-154           | IMI-25002-007  | 10   | 2.7 |      |
| F4L912                 | IMI-25002-009  | 9    | 2.7 |      |
| D-358                  | IMI-25002-011  | 9    | 2.7 |      |
| <b>Tractor</b>         |                |      |     |      |
| D179, D206, D268, D312 | IMI-25002-008  | 10   | 2.7 |      |
| 2 Bolt                 | IMI-25208-001  | 10   | 2.7 | CCW  |
| 3 Bolt                 | IMI-25002-002R | 10   | 2.7 | CCW  |

## JAGUAR

| Model                    | IMI          | Gear | kW  | Note       |
|--------------------------|--------------|------|-----|------------|
| Borg Warner A/T          | IMI-241-013  | 10   | 1.4 |            |
| MK X 65-66               | IMI-1206-X9A | 9    | 1.2 | 4.2L       |
| MK X (M/T) 62-64         | IMI-1206-10  | 10   | 1.2 | 4.2L       |
| XJ6, Vanden Plas 88-96   | IMI-1206-10  | 10   | 1.2 | 3.6L, 4.2L |
| XJ6, Vanden Plas 73-87   | IMI-1206-X9A | 9    | 1.2 | 4.2L       |
| XJ6 69-72                | IMI-1206-X9A | 9    | 1.2 | 4.2L       |
| XJ12 93-96               | IMI-1206-X9S | 9    | 1.2 | 6.0L       |
| XJ12 73-79               | IMI-1206-X9S | 9    | 1.2 | 5.3L       |
| XJS, HE, Cabriolet 75-96 | IMI-1206-X9S | 9    | 1.2 | 5.3L, 6.0L |
| XKE 72-75                | IMI-1206-X9S | 9    | 1.2 | 5.3L       |
| XKE 72                   | IMI-1206-008 | 9    | 1.2 | 4.2L       |
| XKE 65-71                | IMI-1206-X9A | 9    | 1.2 | 4.2L       |
| XKE 61-64                | IMI-1206-10  | 10   | 1.2 | 4.2L       |
| 420, G 67-68             | IMI-1206-X9A | 9    | 1.2 | 3.8L       |

## JEEP

| Model                       | IMI         | Gear | kW  | Note             |
|-----------------------------|-------------|------|-----|------------------|
| <b>Willys</b>               |             |      |     |                  |
| CJ38, CJ5, CJ6              | IMI-122-009 | 9    | 1.2 | 12V              |
| Pickup                      | IMI-122-009 | 9    | 1.2 | 12V              |
| Station Wagon               | IMI-122-009 | 9    | 1.2 | 12V              |
| Sedan                       | IMI-122-009 | 9    | 1.2 | 12V              |
| 97 Tooth Flywheel           | IMI-134-001 | 9    | 1.2 | 12V              |
| 124 Tooth Flywheel          | IMI-134-002 | 9    | 1.2 | 12V              |
| 129 Tooth Flywheel          | IMI-122-009 | 9    | 1.2 | 12V              |
| <b>Truck</b>                |             |      |     |                  |
| 5.4L                        | IMI-131-001 | 9    | 1.2 | Replaces Coaxial |
| <b>1966-1986</b>            |             |      |     |                  |
| 2.3, 2.7, 2.9L              | IMI-913     | 11   | 1.2 |                  |
| 3.0, 3.4, 3.6, 3.9L         | IMI-913     | 11   | 1.2 |                  |
| 4.0L                        | IMI-913     | 11   | 1.2 |                  |
| <b>Late Model 1987-1993</b> |             |      |     |                  |
| 4                           | IMI-913B    | 11   | 1.2 |                  |
| 5.2, 5.9L                   | IMI-913B    | 11   | 1.2 |                  |



## JLG

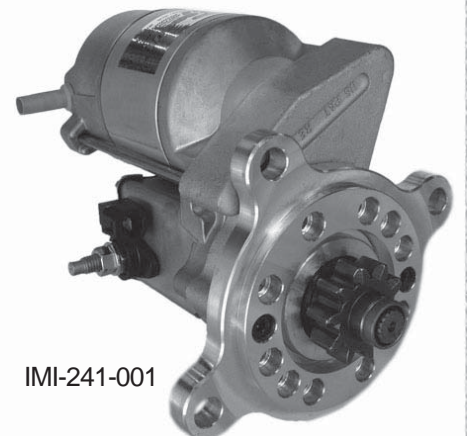
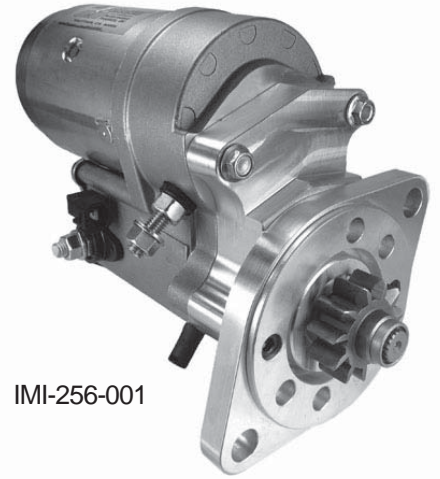
| Model        | IMI         | Gear | kW  | Note |
|--------------|-------------|------|-----|------|
| Cummins 3.3L | IMI-256-001 | 11   | 2.2 |      |

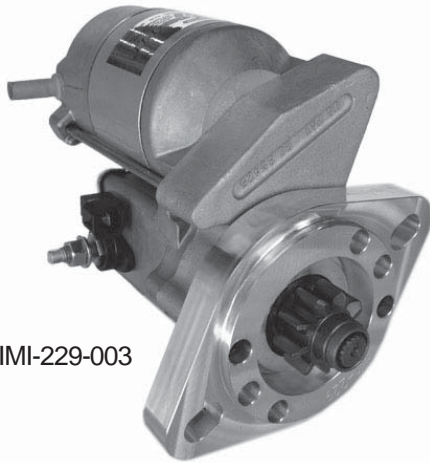
## JOHN DEERE

| Model           | IMI           | Gear | kW  | Note |
|-----------------|---------------|------|-----|------|
| <b>Combines</b> |               |      |     |      |
| MD1032          | IMI-25208-011 | 10   | 2.7 |      |
| MD1042          | IMI-25208-011 | 10   | 2.7 |      |
| MD1068, Hydro   | IMI-25208-011 | 10   | 2.7 |      |
| <b>Tractor</b>  |               |      |     |      |
| A               | IMI-22001-001 | 10   | 2.2 |      |
| 60              | IMI-22001-001 | 10   | 2.2 |      |
| 80F             | IMI-122-020   | 9    | 2.0 |      |
| 100F            | IMI-122-020   | 9    | 2.0 |      |
| <b>Baler</b>    |               |      |     |      |
| 10              | IMI-241-015   | 10   | 1.4 |      |
| 216T, 216WS     | IMI-241-015   | 10   | 1.4 |      |
| <b>350C</b>     |               |      |     |      |
| 75-81           | IMI-302-023   | 10   | 1.2 |      |
| <b>410</b>      |               |      |     |      |
| 3.6L 81-86      | IMI-302-023   | 10   | 1.2 |      |
| <b>3020</b>     |               |      |     |      |
| 4-240 69-72     | IMI-220-007   | 9    | 2.2 |      |
| <b>3300</b>     |               |      |     |      |
| 71-72           | IMI-302-023   | 10   | 1.2 |      |
| <b>4020</b>     |               |      |     |      |
| 341 69-72       | IMI-220-007   | 9    | 2.2 |      |
| <b>4520</b>     |               |      |     |      |
| 2.4L 04-09      | IMI-122-024   | 9    | 2.0 |      |
| <b>5045D</b>    |               |      |     |      |
| 3cly Diesel     | IMI-25208-012 | 10   | 2.7 |      |
| <b>5220</b>     |               |      |     |      |
| 2.93L 98-04     | IMI-208-003   | 10   | 1.4 |      |
| <b>5325</b>     |               |      |     |      |
| 3.05L 04-09     | IMI-122-024   | 9    | 2.0 |      |
| <b>5410</b>     |               |      |     |      |
| 4.52L 98-00     | IMI-208-003   | 10   | 1.4 |      |
| <b>6600</b>     |               |      |     |      |
| 70-72           | IMI-302-023   | 10   | 1.2 |      |
| <b>9930</b>     |               |      |     |      |
| 359 87-93       | IMI-25208-002 | 11   | 2.7 |      |

## KELMAR AC

| Model      | IMI         | Gear | kW  | Note |
|------------|-------------|------|-----|------|
| <b>Gas</b> |             |      |     |      |
| 4G52       | IMI-203-001 | 11   | 1.2 |      |
| 4G54       | IMI-203-001 | 11   | 1.2 |      |
| H20        | IMI-202-001 | 11   | 1.2 |      |
| Hercules   | IMI-241-001 | 10   | 1.4 |      |

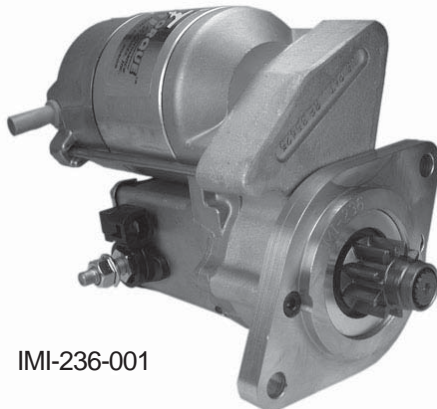




IMI-229-003



IMI-122-076



IMI-236-001



IMI-122-041

## KELMAR AC

| Model         | IMI          | Gear | kW  | Note       |
|---------------|--------------|------|-----|------------|
| <b>Gas</b>    |              |      |     |            |
| K21, K25      | IMI-244-001  | 9    | 1.2 |            |
| TB42          | IMI-229-003  | 9    | 1.4 |            |
| <b>Diesel</b> |              |      |     |            |
| 4D52          | IMI-3100-001 | 11   | 2.7 | Dry Clutch |

## KIOTI

| Model     | IMI         | Gear | kW  | Note           |
|-----------|-------------|------|-----|----------------|
| CK25-30   | IMI-122-050 | 9    | 1.4 | Daedong Engine |
| DK35-55   | IMI-122-050 | 9    | 1.4 | Daedong Engine |
| LK30-3504 | IMI-122-050 | 9    | 1.4 | Daedong Engine |
| CK20      | IMI-229-007 | 8    | 1.2 |                |
| LB1914    | IMI-229-007 | 8    | 1.2 |                |

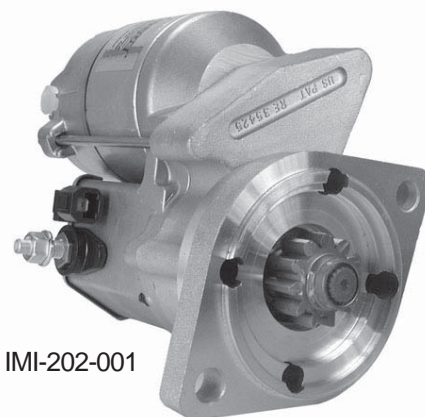
## KUBOTA

| Model            | IMI           | Gear | kW  | Note |
|------------------|---------------|------|-----|------|
| <b>Engine</b>    |               |      |     |      |
| 5416             | IMI-122-041   | 9    | 1.4 |      |
| DSL              | IMI-203-003   | 11   | 1.2 |      |
| M-20             | IMI-122-041   | 9    | 1.4 |      |
| <b>Generator</b> |               |      |     |      |
| GL6500S          | IMI-236-001   | 9    | 1.2 |      |
| GV3190QSW        | IMI-122-070   | 9    | 1.4 |      |
| L553, L555       | IMI-122-070   | 9    | 1.4 |      |
| <b>Mower</b>     |               |      |     |      |
| FZ2400           | IMI-236-001   | 9    | 1.2 |      |
| FZ2100           | IMI-236-001   | 9    | 1.2 |      |
| <b>Tractor</b>   |               |      |     |      |
| B21TL            | IMI-122-058   | 9    | 1.4 |      |
| B2150HSD         | IMI-236-001   | 9    | 1.2 |      |
| B2150HS DT       | IMI-236-001   | 9    | 1.2 |      |
| B2150HS DTB      | IMI-236-001   | 9    | 1.2 |      |
| B26, B27010      | IMI-203-003   | 11   | 1.2 |      |
| B2910            | IMI-203-003   | 11   | 1.2 |      |
| B9200DT          | IMI-236-001   | 9    | 1.2 |      |
| B9200HSD         | IMI-236-001   | 9    | 1.2 |      |
| E22              | IMI-122-071   | 8    | 1.4 |      |
| KC15             | IMI-122-062   | 9    | 1.2 |      |
| KX057            | IMI-122-076   | 8    | 2.0 |      |
| KX057-4          | IMI-122-076   | 8    | 2.0 |      |
| L185             | IMI-122-041   | 9    | 1.4 |      |
| L185F            | IMI-122-041   | 9    | 1.4 |      |
| L275F            | IMI-122-062   | 9    | 1.2 |      |
| L275DT           | IMI-122-062   | 9    | 1.2 |      |
| L260F            | IMI-122-060   | 11   | 1.4 | CCW  |
| L3540GST         | IMI-122-071   | 8    | 1.4 |      |
| L4440DT          | IMI-122-071   | 8    | 1.4 |      |
| General          | IMI-25216-003 | 1    | 2.7 |      |



## KOMATSU

| Model         | IMI           | Gear | kW  | Note       |
|---------------|---------------|------|-----|------------|
| <b>Gas</b>    |               |      |     |            |
| Excavator     | IMI-214-011   | 9    | 2.2 |            |
| H20           | IMI-202-001   | 11   | 1.2 |            |
| Hercules      | IMI-241-001   | 10   | 1.4 |            |
| K21, K25      | IMI-244-001   | 9    | 1.2 |            |
| TB42          | IMI-229-003   | 9    | 1.4 |            |
| <b>Diesel</b> |               |      |     |            |
| 4D52          | IMI-3100-001  | 11   | 2.7 | Dry Clutch |
| 6D95          | IMI-25101-007 | 11   | 2.7 |            |



IMI-202-001

## LINCOLN WELDER

| Model                   | IMI           | Gear | kW  | Note |
|-------------------------|---------------|------|-----|------|
| <b>Continental</b>      |               |      |     |      |
| F-162 Engine            | IMI-118-002   | 10   | 1.2 |      |
| F-266 Engine            | IMI-118-002   | 10   | 1.2 |      |
| F-244 Engine            | IMI-25002-002 | 10   | 2.7 |      |
| DD 2-53 Diesel          | IMI-25101-002 | 12   | 2.7 |      |
| <b>Kubota</b>           |               |      |     |      |
| DH850B                  | IMI-236       | 9    | 1.2 |      |
| <b>Hercules</b>         |               |      |     |      |
| G-3400                  | IMI-118-002   | 10   | 1.2 |      |
| GO339                   | IMI-234-001   | 10   | 1.2 |      |
| QXLD-3                  | IMI-25002-002 | 10   | 2.7 |      |
| <b>Diesel</b>           |               |      |     |      |
| International Harvester | IMI-118-005   | 9    | 1.2 |      |
| Model Ground Power Uni  | IMI-25002-002 | 10   | 2.7 |      |
| Perkins Engine          | IMI-25002-001 | 10   | 2.7 |      |



IMI-118-005

## LINDE

| Model   | IMI         | Gear | kW  | Note |
|---------|-------------|------|-----|------|
| Various | IMI-215-008 | 9    | 1.4 |      |



IMI-215-008

## LOTUS

| Model         | IMI          | Gear | kW  | Note |
|---------------|--------------|------|-----|------|
| Elan          | IMI-1206-9AA | 9    | 1.2 |      |
| Elite         | IMI-1206-9A  | 9    | 1.2 |      |
| Eclat         | IMI-1206-9A  | 9    | 1.2 |      |
| Espirit, MKII | IMI-1206-9A  | 9    | 1.2 |      |
| Excel         | IMI-1206-9A  | 9    | 1.2 |      |
| Super Seven   | IMI-1206-9AA | 9    | 1.2 |      |



IMI-104-004

## MASSEY FERGUSON Tractors

| Model                 | IMI           | Gear | kW  | Note |
|-----------------------|---------------|------|-----|------|
| <b>MF-50</b>          |               |      |     |      |
|                       | IMI-25002-008 | 10   | 2.7 |      |
| Cont. Z-134 Gas       | IMI-104-004   | 9    | 1.2 |      |
| <b>MF-92</b>          |               |      |     |      |
| Perkins 4A-300 Diesel | IMI-25002-002 | 10   | 2.7 |      |



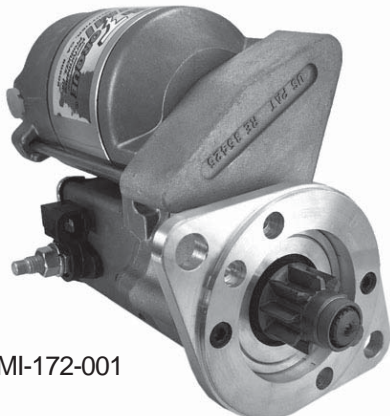
IMI-101-003



IMI-25002-002



IMI-229-011



IMI-172-001

## MASSEY FERGUSON Tractors

| Model           | IMI           | Gear | kW  | Note     |
|-----------------|---------------|------|-----|----------|
| <b>MF-92</b>    |               |      |     |          |
| Diesel          | IMI-25002-002 | 10   | 2.7 |          |
| <b>MF-135</b>   |               |      |     |          |
| Cont. G-145 Gas | IMI-104-004   | 9    | 1.2 |          |
|                 | IMI-104-004   | 9    | 1.2 |          |
| <b>MF-165</b>   |               |      |     |          |
| Cont. G-176 Gas | IMI-104-004   | 9    | 1.2 |          |
|                 | IMI-104-004   | 9    | 1.2 |          |
| <b>Perkins</b>  |               |      |     |          |
| 130             | IMI-25216-008 | 12   | 2.7 |          |
| 4-212 Gas       | IMI-234-001   | 10   | 2.0 |          |
| AD4-236         | IMI-25002-002 | 10   | 2.7 |          |
| <b>Perkins</b>  |               |      |     |          |
| AD3-152         | IMI-25002-002 | 10   | 2.7 |          |
| AD4-248         | IMI-25002-002 | 10   | 2.7 |          |
| AD4-212         | IMI-234-001   | 10   | 2.0 |          |
| AD4-203 Diesel  | IMI-25002-007 | 10   | 2.7 |          |
| MF-20           | IMI-220-015   | 10   | 1.4 |          |
| MF-205          | IMI-214-006   | 9    | 2.0 |          |
| MF-210          | IMI-214-006   | 9    | 2.0 |          |
| MF-210-4        | IMI-214-006   | 9    | 2.0 |          |
| <b>Tractor</b>  |               |      |     |          |
| 20, 21          | IMI-209-003   | 10   | 1.2 | 12V      |
| 23, 30          | IMI-209-003   | 10   | 1.2 | 12V      |
| MF-205          | IMI-229-011   | 9    | 1.2 |          |
| MF-384          | IMI-25002-007 | 10   | 2.7 | Bt Left  |
| MF-394          | IMI-25002-007 | 10   | 2.7 | Bt Left  |
| MF-397/T        | IMI-25002-007 | 10   | 2.7 | Bt Left  |
| MF-450          | IMI-25002-005 | 10   | 2.7 | Bt Right |
| MF-1200         | IMI-25002-005 | 10   | 2.7 | Bt Right |
| TE-20           | IMI-101-003   | 9    | 1.2 |          |
| TEA-20          | IMI-101-003   | 9    | 1.2 |          |
| <b>Waukesha</b> |               |      |     |          |
| F-320-G         | IMI-104-004   | 9    | 1.2 |          |
| F-420-G         | IMI-104-004   | 9    | 1.2 |          |

## MAZDA

| Model    | IMI         | Gear | kW  | Note      |
|----------|-------------|------|-----|-----------|
| RX7      | IMI-166-001 | 13   | 2.0 | Turbo     |
| RX8 1.3L | IMI-166-001 | 13   | 2.0 | 2006-2008 |

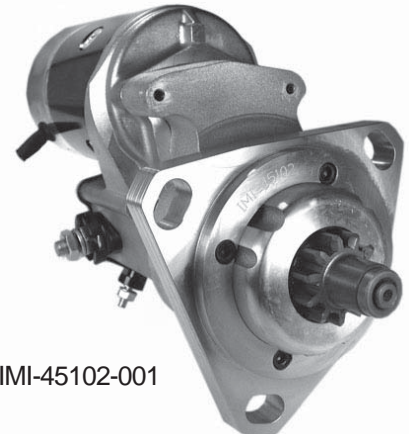
## MERCEDES-BENZ

| Model             | IMI         | Gear | kW  | Note |
|-------------------|-------------|------|-----|------|
| <b>Automotive</b> |             |      |     |      |
| 190SL             | IMI-172-001 | 9    | 1.2 |      |
| 600SL             | IMI-155-006 | 10   | 2.0 |      |
| A70               | IMI-247-004 | 9    | 1.2 |      |
| S600 V12          | IMI-155-006 | 10   | 2.0 |      |



## MERCEDES-BENZ

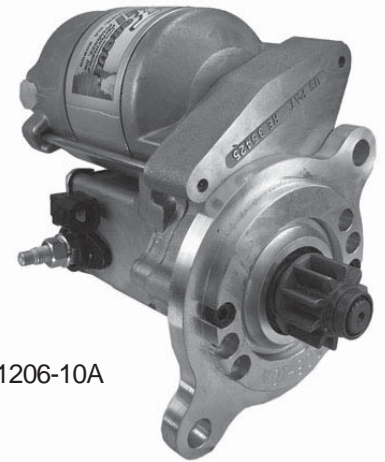
| Model         | IMI           | Gear | kW  | Note |
|---------------|---------------|------|-----|------|
| <b>Unimog</b> |               |      |     |      |
| U800          | IMI-45002-011 | 9    | 4.5 |      |
| U900          | IMI-45002-011 | 9    | 4.5 |      |
| U1150         | IMI-45002-011 | 9    | 4.5 |      |
| <b>Claas</b>  |               |      |     |      |
| Jaguar 680    | IMI-45101-011 | 9    | 4.5 |      |
| Jaguar 685SL  | IMI-45101-011 | 9    | 4.5 |      |



IMI-45102-001

## MG

| Model         | IMI          | Gear | kW  | Note      |
|---------------|--------------|------|-----|-----------|
| MGA           | IMI-1206-9A  | 9    | 1.2 |           |
| MGB           | IMI-1206-9A  | 9    | 1.2 | 1963-67   |
| MGB, GT       | IMI-1206-10A | 10   | 1.2 | 1968-80   |
| <b>Midget</b> |              |      |     |           |
| 1.5L          | IMI-1206-9A  | 9    | 1.2 |           |
| 1.3L          | IMI-1206-9A  | 9    | 1.2 |           |
| TC            | IMI-1206-10  | 10   | 1.2 |           |
| TD            | IMI-1206-9A  | 9    | 1.2 |           |
| TF            | IMI-1206-9A  | 9    | 1.2 | 1.3L 1.5L |



IMI-1206-10A

## MITSUBISHI Industrial

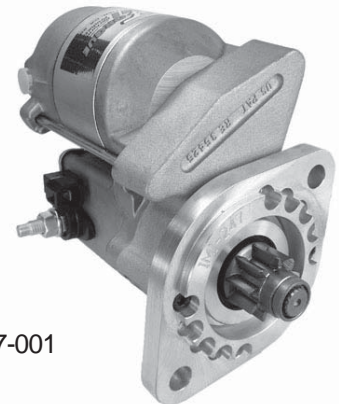
| Model                | IMI           | Gear | kW  | Note |
|----------------------|---------------|------|-----|------|
| <b>Engine</b>        |               |      |     |      |
| K4F                  | IMI-235-001   | 15   | 1.2 |      |
| K4E                  | IMI-235-001   | 15   | 1.2 |      |
| K3M                  | IMI-235-002   | 15   | 2.0 |      |
| K4E, K4E             | IMI-235-002   | 15   | 2.0 |      |
| KE70                 | IMI-247-001   | 9    | 1.2 |      |
| KE75                 | IMI-247-001   | 9    | 1.2 |      |
| 372                  | IMI-247-001   | 9    | 1.2 |      |
| 4-107                | IMI-248-001   | 15   | 1.4 |      |
| <b>Toro</b>          |               |      |     |      |
| 580D                 | IMI-122-059   | 10   | 2.0 |      |
| <b>Diesel Engine</b> |               |      |     |      |
| S4S                  | IMI-122-059   | 10   | 2.0 |      |
| 1.8L                 | IMI-248-001   | 15   | 1.4 |      |
| <b>Grey Market</b>   |               |      |     |      |
| Jinma                | IMI-45002-030 | 11   | 4.5 |      |
| Rhino                | IMI-45002-030 | 11   | 4.5 |      |



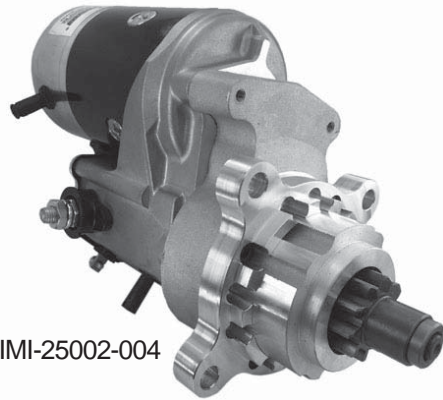
IMI-235-001

## MITSUBISHI CATERPILLAR

| Model                    | IMI         | Gear | kW  | Note |
|--------------------------|-------------|------|-----|------|
| <b>Continental F-163</b> |             |      |     |      |
| T25, T40                 | IMI-122-003 | 10   | 1.4 |      |
| T45, T50                 | IMI-122-003 | 10   | 1.4 |      |
| T30B, T30C               | IMI-206-001 | 9    | 1.4 |      |
| <b>Continental F-227</b> |             |      |     |      |
| T70C, T80C, T90C         | IMI-206-001 | 9    | 1.4 |      |



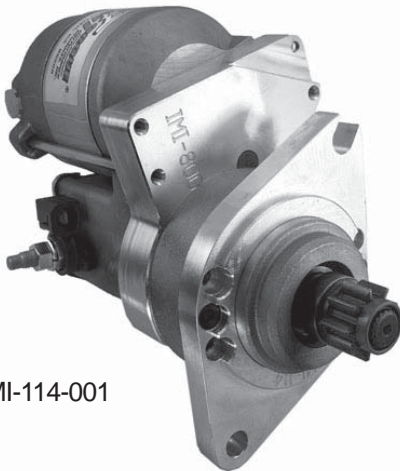
IMI-247-001



IMI-25002-004



IMI-207-002



IMI-114-001



IMI-244-001

## MITSUBISHI CATERPILLAR

| Model          | IMI           | Gear | kW  | Note       |
|----------------|---------------|------|-----|------------|
| <b>Peugeot</b> |               |      |     |            |
| XN1P           | IMI-207-001   | 9    | 1.2 | Short PD   |
|                | IMI-207-002   | 9    | 1.2 | Long PD    |
| <b>Diesel</b>  |               |      |     |            |
|                | IMI-207-003   | 9    | 2.0 |            |
| <b>Gas</b>     |               |      |     |            |
| 4G33           | IMI-203-001   | 11   | 1.2 |            |
| 4G52           | IMI-203-001   | 11   | 1.2 |            |
| 4G63           | IMI-203-001   | 11   | 1.2 |            |
| 4G64           | IMI-203-001   | 11   | 1.2 |            |
| H20            | IMI-202-001   | 11   | 1.2 |            |
| K21, K25       | IMI-244-001   | 9    | 1.2 |            |
| Perkins 4.236G | IMI-234-001   | 10   | 2.0 | Wet Clutch |
| White 1404     | IMI-241-001   | 10   | 1.4 |            |
| <b>Diesel</b>  |               |      |     |            |
| 4-248          | IMI-25002-004 | 10   | 2.7 |            |

## MORGAN

| Model             | IMI          | Gear | kW  | Note    |
|-------------------|--------------|------|-----|---------|
| Plus 4, 4/4       | IMI-1206-10  | 10   | 1.2 |         |
| 4/4, GT           | IMI-1206-9AA | 9    | 1.2 | 1963-67 |
| 4/4               | IMI-205-001  | 10   | 1.2 | 1982-88 |
| <b>Plus Eight</b> |              |      |     |         |
| 3.5L              | IMI-114      | 9    | 1.2 | 1967-88 |
| 3.5L, EFI         | IMI-114      | 9    | 1.2 | 1984-90 |
| 3.9L              | IMI-114      | 9    | 1.2 | 1990-On |

## NASH

| Model        | IMI         | Gear | kW  | Note    |
|--------------|-------------|------|-----|---------|
| Metropolitan | IMI-1206-9A | 9    | 1.2 | 1948-61 |

## NEW HOLLAND

| Model               | IMI           | Gear | kW  | Note |
|---------------------|---------------|------|-----|------|
| <b>Skid Steer</b>   |               |      |     |      |
| L553                | IMI-122-070   | 9    | 1.4 |      |
| L555                | IMI-122-070   | 9    | 1.4 |      |
| <b>Wheel Loader</b> |               |      |     |      |
| LW90, LW110         | IMI-45103-001 | 9    | 4.5 |      |
| LW130, LW130TC      | IMI-45103-001 | 9    | 4.5 |      |

## NISSAN

| Model      | IMI         | Gear | kW  | Note |
|------------|-------------|------|-----|------|
| 110        | IMI-255-001 | 9    | 1.2 |      |
| 210        | IMI-255-001 | 9    | 1.2 |      |
| D11        | IMI-213-001 | 9    | 1.2 |      |
| H20        | IMI-202-001 | 11   | 1.2 |      |
| K21        | IMI-244-001 | 9    | 1.2 |      |
| K25        | IMI-244-001 | 9    | 1.2 |      |
| SD22, SD25 | IMI-229-001 | 9    | 2.0 |      |

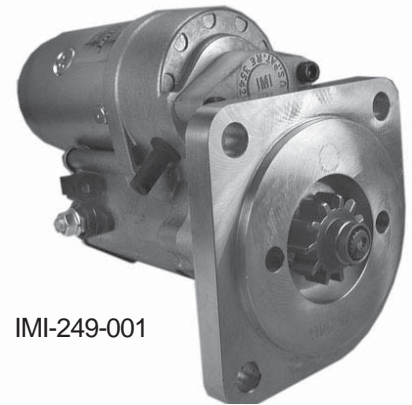


## NISSAN

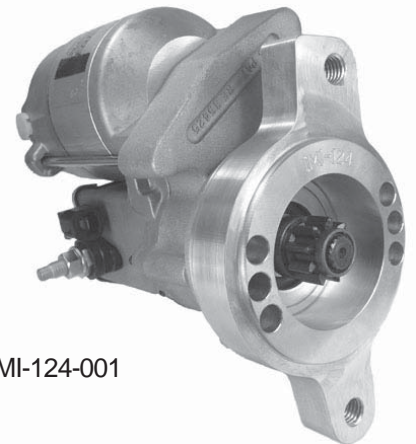
| Model              | IMI           | Gear | kW  | Note    |
|--------------------|---------------|------|-----|---------|
| TB42               | IMI-229-003   | 9    | 1.4 |         |
| Z24                | IMI-202-001   | 11   | 1.2 |         |
| Datsun 2000        | IMI-202-001   | 11   | 1.2 |         |
| 280Z               | IMI-229-011   | 9    | 1.2 |         |
| 280ZX              | IMI-229-011   | 9    | 1.2 |         |
| Europe             |               |      |     |         |
| 180SX              | IMI-173-001   | 9    | 1.2 |         |
| 200SX              | IMI-173-001   | 9    | 1.2 |         |
| UD Medium Duty     |               |      |     |         |
| F05 1999-04        | IMI-249-001   | 11   | 2.2 |         |
| F05 2005-09        | IMI-45102-001 | 11   | 4.5 | 24V     |
| 18CS 1999-04       | IMI-249-001   | 11   | 2.2 |         |
| 18CS 2005-09       | IMI-45102-001 | 11   | 4.5 | 24V     |
| 30SD, HD           | IMI-45102-002 | 11   | 2.7 | 1992-94 |
| 600T               | IMI-45102-002 | 11   | 2.7 | 1992-94 |
| 1200, 1400 1999-04 | IMI-249-001   | 11   | 2.2 |         |
| 1200, 1400 2005-09 | IMI-45102-001 | 11   | 4.5 | 24V     |
| 2600               | IMI-45102-002 | 11   | 2.7 | 12V     |
| 2800               | IMI-45102-002 | 11   | 2.7 | 12V     |
| 3000               | IMI-45102-002 | 11   | 2.7 | 12V     |



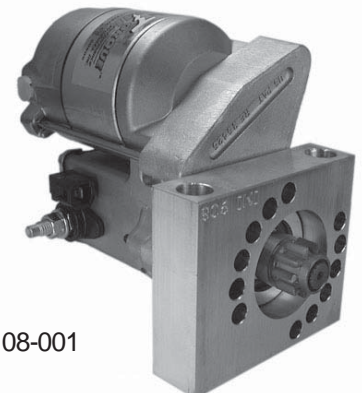
IMI-173-001



IMI-249-001



IMI-124-001



IMI-108-001

## OLDSMOBILE

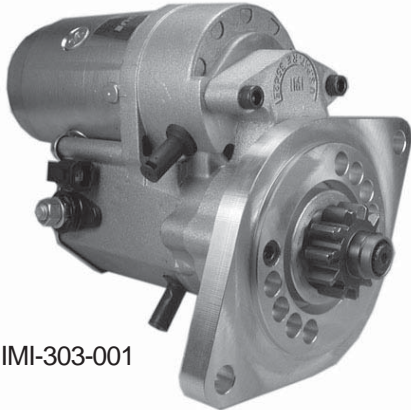
| Model                    | IMI         | Gear | kW  | Note |
|--------------------------|-------------|------|-----|------|
| Bellhousing Mount        |             |      |     |      |
| Early 146 tooth Flywheel | IMI-122-001 | 9    | 1.2 |      |
| Early 172 tooth Flywheel | IMI-122-002 | 9    | 1.2 |      |
| Tornado                  | IMI-124-001 | 9    | 1.2 |      |
| V8                       |             |      |     |      |
| Pad Mount                | IMI-108     | 9    | 1.2 |      |
| High Compression         | IMI-108N    | 9    | 1.4 |      |
| Race                     | IMI-908     | 9    | 2.0 |      |

## OLIVER

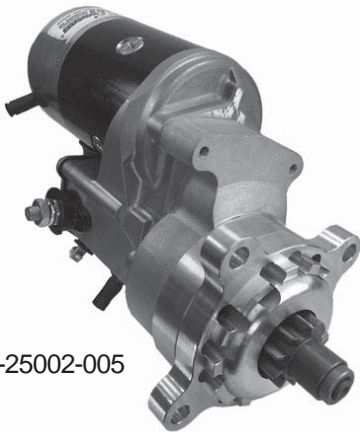
| Model         | IMI           | Gear | kW  | Note              |
|---------------|---------------|------|-----|-------------------|
| Lift Truck    |               |      |     |                   |
| 552           | IMI-25002-002 | 10   | 2.7 |                   |
| Tractor       |               |      |     |                   |
| 55/550        | IMI-234-001   | 10   | 2.0 |                   |
| 70/770        | IMI-234-001   | 10   | 2.0 |                   |
| 88/880        | IMI-234-001   | 10   | 2.0 |                   |
| HG, OC3       | IMI-209-005   | 10   | 1.2 | 12V to replace 6V |
| Hercules 1XK3 | IMI-209-005   | 10   | 1.2 | 12V to replace 6V |

## PERKINS

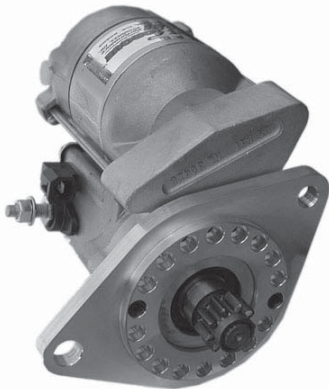
| Model                   | IMI         | Gear | kW  | Note |
|-------------------------|-------------|------|-----|------|
| 103-13, 103-15          | IMI-230-006 | 9    | 2.0 |      |
| 104-19, 104-22, 104C-22 | IMI-230-006 | 9    | 2.0 |      |
| 404C22G                 | IMI-230-006 | 9    | 2.0 |      |



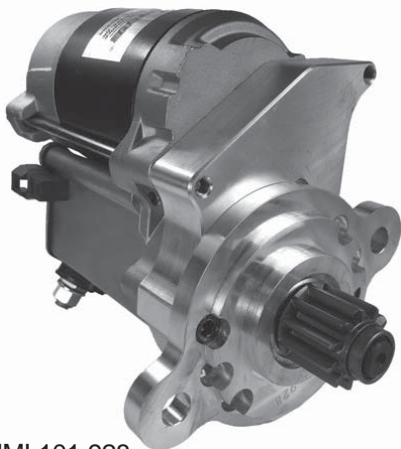
IMI-303-001



IMI-25002-005



IMI-123-001



IMI-101-928

## PERKINS

| Model               | IMI           | Gear | kW  | Note     |
|---------------------|---------------|------|-----|----------|
| 404C22T             | IMI-230-006   | 9    | 2.0 |          |
| 1103D-33            | IMI-241-004   | 10   | 2.0 |          |
| 1103D-33R           | IMI-241-004   | 10   | 2.0 |          |
| 1104D-44            | IMI-241-004   | 10   | 2.0 |          |
| <b>Engine</b>       |               |      |     |          |
| 4-107               | IMI-303-001   | 11   | 2.0 |          |
| 4-108               | IMI-25002-019 | 12   | 2.7 |          |
| 4-108 VA            | IMI-303-001   | 11   | 2.0 |          |
| 4-105               | IMI-25002-019 | 12   | 2.7 |          |
| 4-154               | IMI-25002-036 | 13   | 2.7 |          |
| 4-224, 4-403, 6-365 | IMI-241-003   | 10   | 2.0 |          |
| <b>Generator</b>    |               |      |     |          |
| Various             | IMI-25002-005 | 10   | 2.7 | Bt Right |
|                     | IMI-25002-007 | 10   | 2.7 | Bt Left  |
| 704-30              | IMI-25002-036 | 13   | 2.7 |          |
| M504-2              | IMI-25002-036 | 13   | 2.7 |          |
| <b>Marine</b>       |               |      |     |          |
| Various             | IMI-25002-019 | 12   | 2.7 |          |

## PONTIAC

| Model                    | IMI          | Gear | kW  | Note    |
|--------------------------|--------------|------|-----|---------|
| <b>Bellhousing Mount</b> |              |      |     |         |
| 5.2L, 6.1L, 6.4L         | IMI-155-004  | 9    | 1.2 | 1958-60 |
| 195                      | IMI-162-001  | 9    | 1.2 |         |
| 6.4L                     | IMI-123-001  | 9    | 1.2 | 1961-64 |
| 6.9L                     | IMI-123-001  | 9    | 1.2 | 1961-64 |
| High Compression         | IMI-123-001N | 9    | 1.4 |         |
| <b>V8</b>                |              |      |     |         |
| Pad Mount                | IMI-108      | 9    | 1.2 |         |
| High Compression         | IMI-108N     | 9    | 1.4 |         |
| Race                     | IMI-908      | 9    | 2.0 |         |

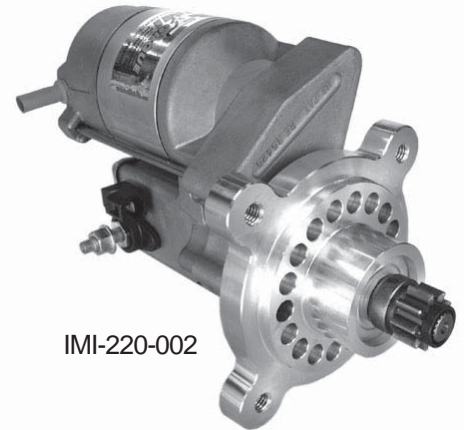
## PORSCHE

| Model            | IMI         | Gear | kW  | Note    |
|------------------|-------------|------|-----|---------|
| 356              | IMI-105     | 9    | 1.2 |         |
| <b>911</b>       |             |      |     |         |
| Early            | IMI-101N    | 9    | 1.4 |         |
| Late             | IMI-170-001 | 10   | 1.4 | 1990-98 |
| 912, 914, 914/6  | IMI-101N    | 9    | 1.4 |         |
| 924              | IMI-155-002 | 9    | 1.4 |         |
| 924S             | IMI-155-001 | 9    | 1.4 |         |
| 928              | IMI-101-928 | 11   | 1.4 |         |
| 930              | IMI-101N    | 9    | 1.4 |         |
| 931, 944         | IMI-155-001 | 9    | 1.4 |         |
| Cayenne          | IMI-215-008 | 10   | 1.4 |         |
| <b>G50</b>       |             |      |     |         |
| Standard         | IMI-170-001 | 10   | 1.4 |         |
| High Performance | IMI-170-002 | 10   | 2.0 |         |



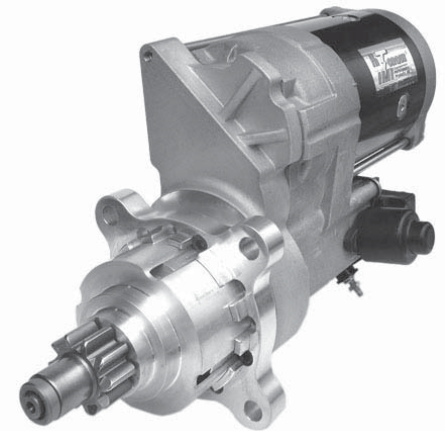
## ROLLS ROYCE

| Model               | IMI         | Gear | kW  | Note |
|---------------------|-------------|------|-----|------|
| Camargue 75-89      | IMI-241L    | 9    | 1.4 |      |
| Corniche 73-89      | IMI-241L    | 9    | 1.4 |      |
| Silver Cloud 59-66  | IMI-220-002 | 9    | 1.4 |      |
| Silver Shadow 73-89 | IMI-241L    | 9    | 1.4 |      |
| Silver Shadow II    | IMI-241L    | 9    | 1.4 |      |
| Silver Spirt 80-87  | IMI-241L    | 9    | 1.4 |      |
| Silver Spur 80-87   | IMI-241L    | 9    | 1.4 |      |



## ROVER

| Model                    | IMI         | Gear | kW  | Note       |
|--------------------------|-------------|------|-----|------------|
| Defender                 | IMI-114     | 9    | 1.2 | 3.9L       |
| Discovery                | IMI-114     | 9    | 1.2 | 3.9L       |
| Landrover                | IMI-1206-11 | 11   | 1.2 | 2.6L       |
| Range Rover (All Models) | IMI-114     | 9    | 1.2 | 4.0L, 4.2L |
| Range Rover              | IMI-114     | 9    | 1.2 | 3.5L, 3.9L |
| 2000, TC (M/T)           | IMI-1206-10 | 10   | 1.2 | 2000cc     |
| 2000 (M,T)               | IMI-1206-10 | 10   | 1.2 | 2000cc     |
| 3500                     | IMI-114     | 9    | 1.2 | 3.5L       |



## RUGGERINI

| Model              | IMI         | Gear | kW  | Note    |
|--------------------|-------------|------|-----|---------|
| Industrial Engines |             |      |     |         |
| 1 Cyl              | IMI-101-004 | 9    | 1.4 | 1983-97 |
| 2 Cyl              | IMI-101-004 | 9    | 1.4 | 1995-99 |

## SPECIALTY

| Model           | IMI           | Gear | kW  | Note             |
|-----------------|---------------|------|-----|------------------|
| Pull Tractor    | IMI-25208-001 | 10   | 2.7 | CCW              |
| Ford 2.3L       | IMI-163-001   | 9    | 1.4 | Race Application |
| Ford 7.3L       | IMI-50002-023 | 10   | 5.0 | Generator        |
| Duetz           | IMI-50002-009 | 9    | 5.0 |                  |
| Ford Industrial | IMI-50402-001 | 10   | 5.0 |                  |
| Reverse Assist  | Various       |      |     | Motorcycle       |



## SUNBEAM

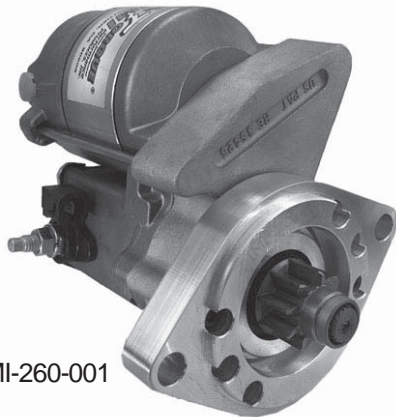
| Model  | IMI          | Gear | kW  | Note |
|--------|--------------|------|-----|------|
| Alpine | IMI-1206-9A  | 9    | 1.2 |      |
| IMP    | IMI-1206-9AA | 9    | 1.2 |      |
| Tiger  | IMI-106      | 9    | 1.2 |      |

IMI-50101-002

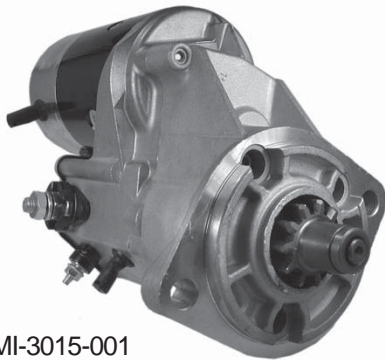
## TCM

| Model      | IMI         | Gear | kW  | Note |
|------------|-------------|------|-----|------|
| D11        | IMI-213-001 | 9    | 1.2 |      |
| H20        | IMI-202-001 | 11   | 1.2 |      |
| K21, K25   | IMI-244-001 | 9    | 1.2 |      |
| SD22, SD25 | IMI-229-001 | 9    | 2.0 |      |
| TB42       | IMI-229-003 | 9    | 1.4 |      |
| Z24        | IMI-202-001 | 11   | 1.2 |      |





IMI-260-001



IMI-3015-001



IMI-1206-TR6



IMI-122-014

## TAKEUCHI

| Model      | IMI          | Gear | kW  | Note |
|------------|--------------|------|-----|------|
| John Deere |              |      |     |      |
| 2210       | IMI-260-001  | 9    | 1.4 |      |
| Skid Steer |              |      |     |      |
| TL130      | IMI-3015-001 | 11   | 2.7 |      |

## TRIUMPH

| Model     | IMI          | Gear | kW  | Note     |
|-----------|--------------|------|-----|----------|
| GT6       | IMI-1206-9A  | 9    | 1.2 | 1967-74  |
| Spitfire  | IMI-1206-9A  | 9    | 1.2 | 1975-80  |
| Spitfire  | IMI-1206-9A  | 9    | 1.2 | 1963-74  |
| Stag      | IMI-1206-TR7 | 9    | 1.2 | 1971-73  |
| TR3 Early | IMI-1206-9   | 9    | 1.2 | 1955-59  |
| TR3 Late  | IMI-1206-10  | 10   | 1.2 | 1959-61  |
| TR4, TR4A | IMI-1206-10  | 10   | 1.2 | 1963-65  |
| TR6       | IMI-1206-TR6 | 9    | 1.2 | 1969-74  |
| TR6       | IMI-1206-9A  | 9    | 1.2 | Early 69 |
| TR7       | IMI-1206-TR7 | 9    | 1.2 | 1976-81  |
| TR8       | IMI-114      | 9    | 1.2 | 1978-81  |
| TR250     | IMI-1206-TR6 | 9    | 1.2 | 1968     |
| TR250     | IMI-1206-9A  | 9    | 1.2 | Early 68 |

## TVR

| Model      | IMI          | Gear | kW  | Note |
|------------|--------------|------|-----|------|
| Vixen 1.3L | IMI-1206-9A  | 9    | 1.2 |      |
| 2500M      | IMI-1206-TR6 | 9    | 1.2 |      |

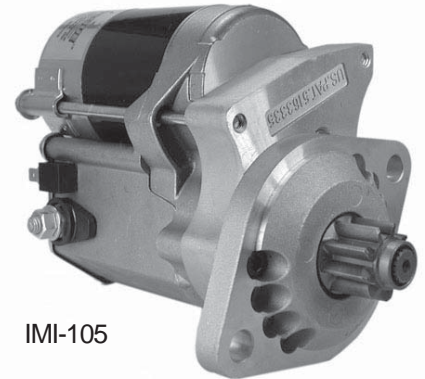
## VOLVO

| Model     | IMI           | Gear | kW  | Note |
|-----------|---------------|------|-----|------|
| Excavator |               |      |     |      |
| EW130C    | IMI-45002-014 | 10   | 4.5 |      |
| EC130C    | IMI-45002-014 | 10   | 4.5 |      |
| Loader    |               |      |     |      |
| L50B      | IMI-45002-014 | 10   | 4.5 |      |
| L50C      | IMI-45002-014 | 10   | 4.5 |      |
| Marine    |               |      |     |      |
| AQD41     | IMI-25002-011 | 9    | 2.7 |      |
| TAMD74    | IMI-45002-018 | 9    | 4.5 |      |
| TAMD71    | IMI-45002-018 | 9    | 4.5 |      |
| TAMD73    | IMI-45002-018 | 9    | 4.5 |      |
| TAMD41    | IMI-25002-011 | 9    | 2.7 |      |
| TAMD31    | IMI-25002-011 | 9    | 2.7 |      |
| TMD120    | IMI-45002-020 | 11   | 4.5 |      |
| TMD121    | IMI-45002-020 | 11   | 4.5 |      |
| TMD122    | IMI-45002-020 | 11   | 4.5 |      |
| MD17      | IMI-122-014   | 11   | 1.4 |      |
| MD7       | IMI-122-014   | 11   | 1.4 |      |
| MD11      | IMI-122-014   | 11   | 1.4 |      |
| MD5       | IMI-122-014   | 11   | 1.4 |      |

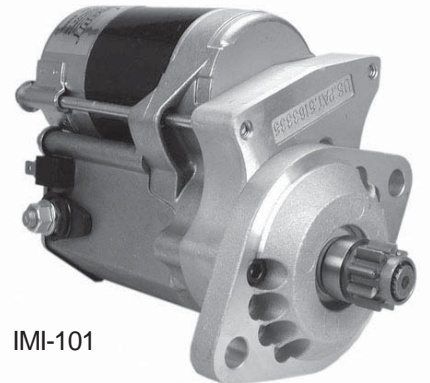


## VW

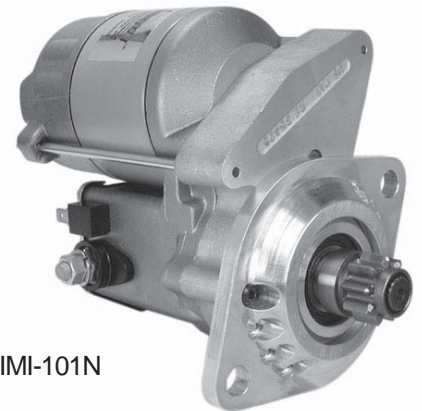
| Model               | IMI         | Gear | kW  | Note     |
|---------------------|-------------|------|-----|----------|
| <b>Type I</b>       |             |      |     |          |
| Early 6V            | IMI-105     | 9    | 1.2 | 12V Unit |
| V8 Conversion       | IMI-105N    | 9    | 1.4 | 12V Unit |
| <b>Beetle</b>       |             |      |     |          |
| 002                 | IMI-101     | 9    | 1.2 |          |
| Reverse             | IMI-101R    | 9    | 1.2 |          |
| V8 Conversion       | IMI-101N    | 9    | 1.4 |          |
| Rotary (High RPM)   | IMI-101NMR  | 11   | 1.4 |          |
| Corvaire Conversion | IMI-101NR   | 9    | 1.4 |          |
| Honda Conversion    | IMI-101NL   | 9    | 1.4 |          |
| 1.9L 2004           | IMI-132-001 | 9    | 1.4 |          |
| <b>Bus</b>          |             |      |     |          |
| 091                 | IMI-104     | 9    | 1.2 |          |
| A/T                 | IMI-101     | 9    | 1.2 |          |
| M/T                 | IMI-104     | 9    | 1.2 |          |
| V8 Conversion       | IMI-104N    | 9    | 1.4 |          |
| <b>Cabriolet</b>    |             |      |     |          |
| 1.8L 85-90          | IMI-233-003 | 9    | 1.4 |          |
| <b>Golf</b>         |             |      |     |          |
| 1.8L 85-90          | IMI-233-003 | 9    | 1.4 |          |
| 1.8L , 2.0L 93-95   | IMI-132-001 | 9    | 1.4 | Diesel   |
| <b>Jetta</b>        |             |      |     |          |
| 1.8L 85-90          | IMI-233-003 | 9    | 1.4 |          |
| 1.8L , 2.0L 93-95   | IMI-132-001 | 9    | 1.4 |          |
| <b>Rabbit</b>       |             |      |     |          |
| 1.8L 85-90          | IMI-233-003 | 9    | 1.4 |          |
| 1.5L 77-80          | IMI-132-001 | 9    | 1.4 | Diesel   |
| <b>Touareg</b>      |             |      |     |          |
|                     | IMI-215-008 | 10   | 1.4 |          |



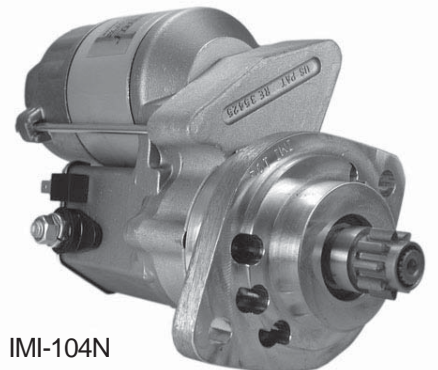
IMI-105



IMI-101



IMI-101N



IMI-104N

## WESTERBEKE

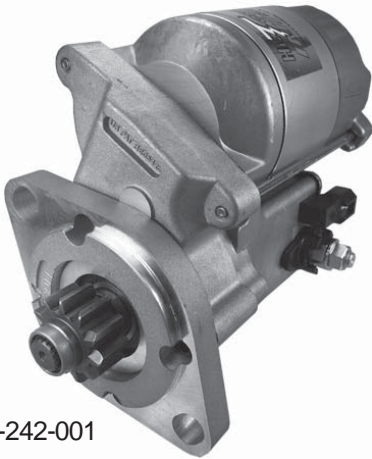
| Model                | IMI           | Gear | kW  | Note             |
|----------------------|---------------|------|-----|------------------|
| Farryman             | IMI-122-021   | 9    | 1.2 |                  |
| Perkins              | IMI-303       | 11   | 2.0 | 11t replaces 13t |
| Bedford 4-107, 4-108 | IMI-303       | 11   | 2.0 | 11t replaces 13t |
| 4cyl, 6cl Diesel     | IMI-25002-001 | 10   | 2.7 |                  |

## WISCONSIN

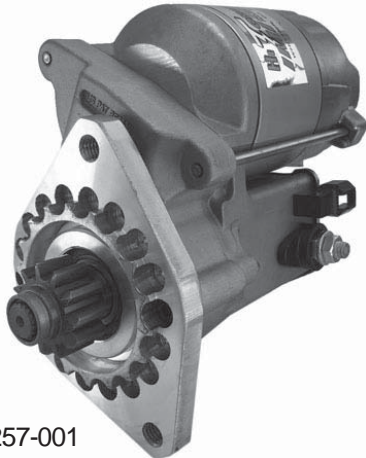
| Model                   | IMI         | Gear | kW  | Note  |
|-------------------------|-------------|------|-----|-------|
| EY21                    | IMI-117-003 | 9    | 1.2 |       |
| TH, THD, THDM           | IMI-241-015 | 10   | 1.4 | 69-79 |
| V465D                   | IMI-220-005 | 10   | 1.4 |       |
| VF4, VF4D               | IMI-241-015 | 10   | 1.4 | 69-83 |
| VF4, VF4D               | IMI-220-005 | 10   | 1.4 | 61-66 |
| VG, VG4D                | IMI-220-015 | 10   | 1.4 |       |
| VH-4D                   | IMI-220-016 | 9    | 1.4 | 1965  |
| <b>Waukesha Engines</b> |             |      |     |       |
| 155, 176 Engines        | IMI-241-006 | 9    | 1.4 | 67-86 |



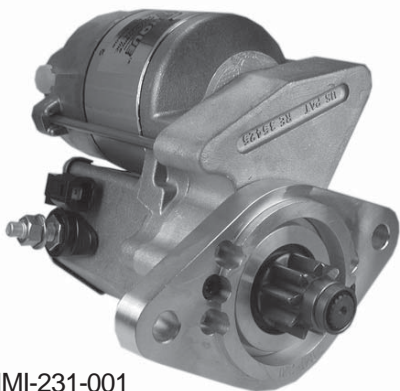
IMI-302-003



IMI-242-001



IMI-257-001



IMI-231-001

## YALE

| Model            | IMI           | Gear | kW  | Note       |
|------------------|---------------|------|-----|------------|
| <b>Chrysler</b>  |               |      |     |            |
| G51C, G-82C      | IMI-302-003   | 9    | 1.4 |            |
| <b>Diesel</b>    |               |      |     |            |
| HA, XW           | IMI-25209-001 | 12   | 2.7 |            |
| <b>GM</b>        |               |      |     |            |
| 1.7L             | IMI-243-001   | 10   | 1.2 |            |
| 2.2L             | IMI-254-001   | 11   | 1.4 |            |
| 2.4L             | IMI-243-001   | 10   | 1.2 |            |
| 3.0L             | IMI-211-001   | 11   | 1.2 |            |
| 4.3L             | IMI-228-001   | 11   | 1.4 |            |
| 4.3L Bellhousing | IMI-234-001   | 10   | 1.4 | Wet Clutch |
| 4.3L Vortex      | IMI-228-002   | 11   | 1.4 |            |
| <b>Isuzu</b>     |               |      |     |            |
| 3.9L             | IMI-230-002   | 9    | 1.4 |            |
| Alpa2            | IMI-230-002   | 9    | 1.4 |            |
| Late Model       | IMI-230-005   | 9    | 1.4 | B+R        |
| <b>Mazda</b>     |               |      |     |            |
| D5               | IMI-201-003   | 11   | 1.2 |            |
| FE, VA           | IMI-201-001   | 11   | 1.2 |            |
| Late Model       | IMI-201-003   | 11   | 1.2 |            |
| Veracitor        | IMI-242-001   | 11   | 1.4 |            |
| <b>Perkins</b>   |               |      |     |            |
| Diesel           | IMI-25002-001 | 10   | 2.7 | Bt Right   |
| Diesel           | IMI-25002-002 | 10   | 2.7 | Bt Left    |

## YANMAR

| Model            | IMI         | Gear | kW  | Note   |
|------------------|-------------|------|-----|--------|
| <b>Bobcat</b>    |             |      |     |        |
|                  | IMI-214-019 | 9    | 1.2 |        |
| <b>Cub Cadet</b> |             |      |     |        |
| Volunteer        | IMI-214-017 | 9    | 1.2 |        |
| <b>Countax</b>   |             |      |     |        |
| D18              | IMI-257-001 | 11   | 1.4 |        |
| <b>Gas</b>       |             |      |     |        |
| 1GM              | IMI-231-001 | 9    | 1.2 |        |
| 1GM10            | IMI-231-001 | 9    | 1.2 |        |
| 1GM1-L           | IMI-214-007 | 15   | 1.4 |        |
| 20GM             | IMI-231-001 | 9    | 1.2 |        |
| 2GM              | IMI-231-001 | 9    | 1.2 |        |
| 2GMF             | IMI-231-001 | 9    | 1.2 |        |
| 2QM              | IMI-214-005 | 15   | 2.0 |        |
| 2QM15            | IMI-238-001 | 11   | 1.4 |        |
| 2QM20            | IMI-214-007 | 15   | 1.4 |        |
| 2T73             | IMI-238-001 | 11   | 1.4 |        |
| 2T80L            | IMI-214-007 | 15   | 1.4 |        |
| 2TNV70           | IMI-214-017 | 9    | 1.2 | Diesel |
| 3TNV70           | IMI-214-017 | 9    | 1.2 | Diesel |
| 3TN72            | IMI-239-001 | 11   | 1.4 |        |



## YANMAR

| Model    | IMI           | Gear | kW  | Note       |
|----------|---------------|------|-----|------------|
| Gas      |               |      |     |            |
| 3TN75    | IMI-239-001   | 11   | 1.4 |            |
| 3TN66    | IMI-239-001   | 11   | 1.4 |            |
| 3TNA68   | IMI-117-003   | 9    | 1.2 |            |
| 30GM     | IMI-231-001   | 9    | 1.2 |            |
| 30GM     | IMI-231-001   | 9    | 1.2 |            |
| 3HM      | IMI-214-005   | 15   | 2.0 |            |
| 3HMF     | IMI-214-005   | 15   | 2.0 |            |
| 3JH3-YEU | IMI-214-007   | 15   | 1.4 |            |
| YSB      | IMI-202-002   | 11   | 1.2 | Wet Clutch |
| Diesel   |               |      |     |            |
| 3T95L    | IMI-45102-002 | 11   | 2.7 |            |
| 6LP-DTE  | IMI-3100-003  | 12   | 2.7 |            |



IMI-214-005



IMI-214-007



IMI-238-001



IMI-214-017

## YANMAR Tractors

| Model          | IMI           | Gear | kW  | Note |
|----------------|---------------|------|-----|------|
| TC3000         |               |      |     |      |
| 3T84C Engine   | IMI-214-007   | 15   | 1.4 |      |
| YM1300         |               |      |     |      |
| 2T73 Engine    | IMI-238-001   | 11   | 1.4 |      |
| YM1500         |               |      |     |      |
| 2TR13 Engine   | IMI-238-001   | 11   | 1.4 |      |
| YM1600         |               |      |     |      |
| 3T72 Engine    | IMI-239-001   | 11   | 1.4 |      |
| YM1700         |               |      |     |      |
| 2TR17 Engine   | IMI-214-007   | 15   | 1.4 |      |
| YM2000         |               |      |     |      |
| 2TR20 Engine   | IMI-214-007   | 15   | 1.4 |      |
| YM2210         |               |      |     |      |
| 2T90 Engine    | IMI-214-005   | 15   | 2.0 |      |
| YM2610         |               |      |     |      |
| 3T80D Engine   | IMI-214-005   | 15   | 2.0 |      |
| YM3000         |               |      |     |      |
| 3T84 Engine    | IMI-214-005   | 15   | 2.0 |      |
| YM6000         |               |      |     |      |
| 3T95 Engine    | IMI-214-005   | 15   | 2.0 |      |
| 4T95 Engine    | IMI-214-005   | 15   | 2.0 |      |
| Various Models |               |      |     |      |
| 2TR16 Engine   | IMI-45102-002 | 11   | 2.7 |      |
| 2TR19 Engine   | IMI-45102-002 | 11   | 2.7 |      |
| 3T72 Engine    | IMI-239-001   | 11   | 1.4 |      |
| 3T75 Engine    | IMI-239-001   | 11   | 1.4 |      |
| 3TN75 Engine   | IMI-239-001   | 11   | 1.4 |      |
| 3TNA72 Engine  | IMI-238-001   | 11   | 1.4 |      |

## ZAMBONI

| Model   | IMI         | Gear | kW  | Note |
|---------|-------------|------|-----|------|
| Various | IMI-122-005 | 9    | 1.4 |      |

**IMI Performance Products, Inc.**



**13432 Lambert Road  
Whittier, CA 90605**

**(888) 244-8675**

**[www.hitorque.com](http://www.hitorque.com)**



Kubota Engine  
8 tooth 2.2kW

IMI-122-076

